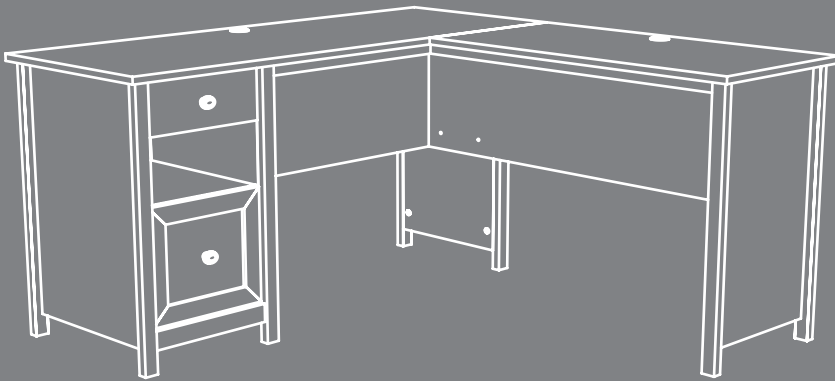


www.teknikoffice.co.uk

Teknik



Sit and surf.

White Home Study L-Shaped Desk

Model 5427718

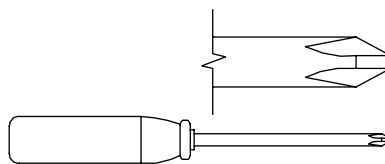
NOTE: THIS INSTRUCTION BOOKLET CONTAINS **IMPORTANT** SAFETY INFORMATION.

PLEASE READ AND KEEP FOR FUTURE REFERENCE.

Table of Contents

Assembly Tools Required

Part Identification	2-3
Hardware Identification	4-5
Hardware Usage Guide	6
Assembly Steps	7-42
Français	43-47
Español	48-52
Safety	53-54
Warranty	55



No. 2 Phillips Screwdriver
Tip Shown Actual Size

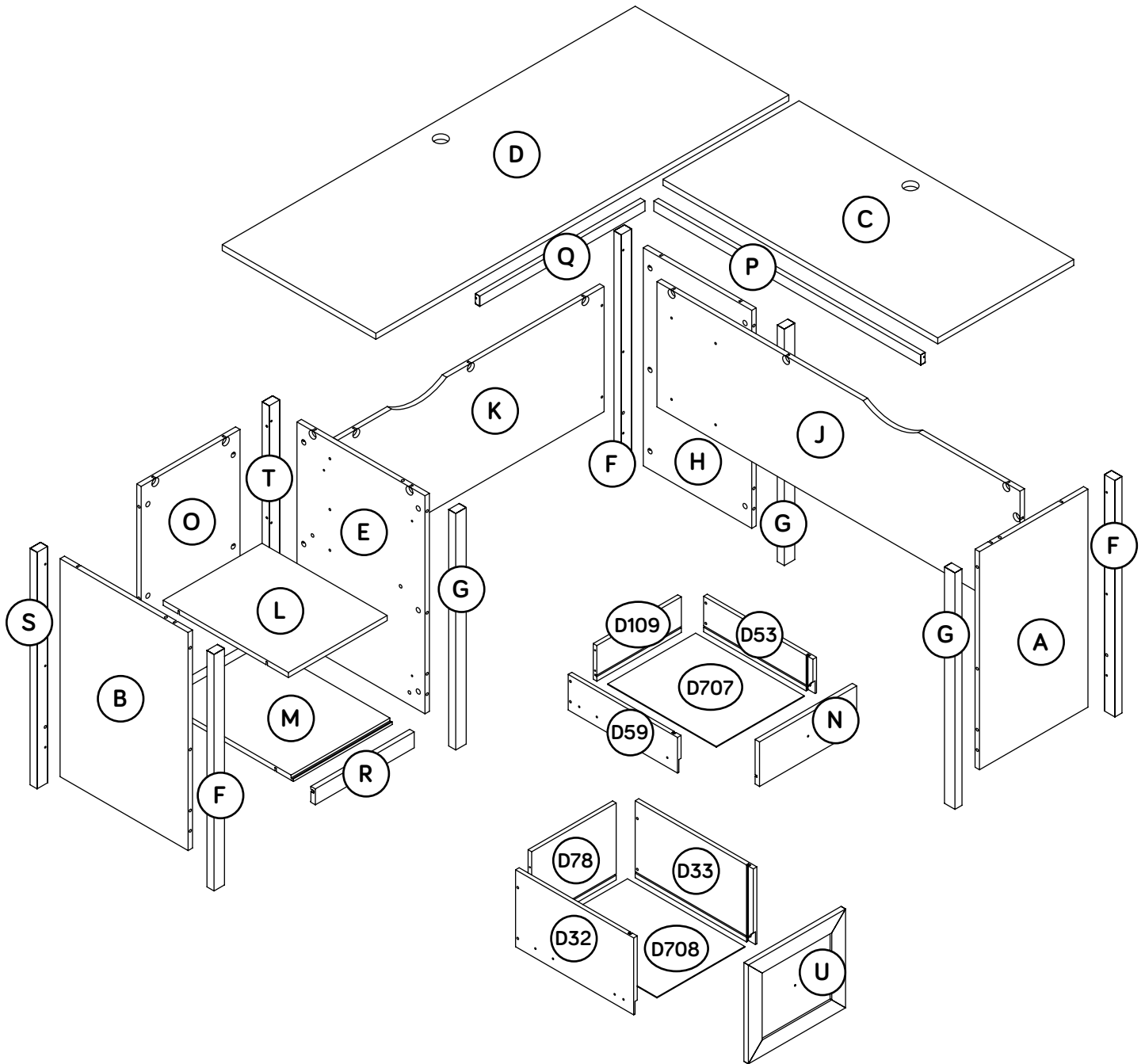
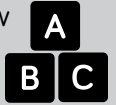


Hammer
Not actual size 😊

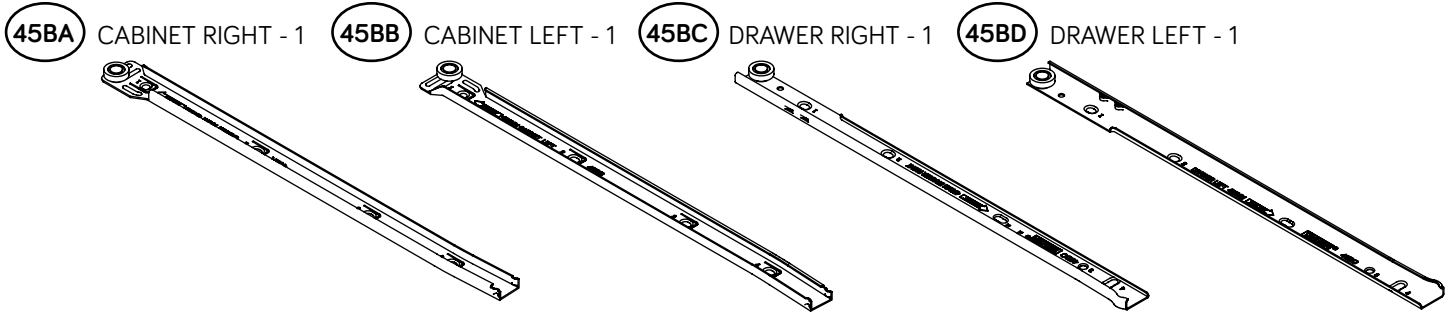
Part Identification

⚠ While not all parts are labeled, some of the parts will have a label or an inked letter on the edge to help distinguish similar parts from each other. Use this part identification to help identify similar parts.

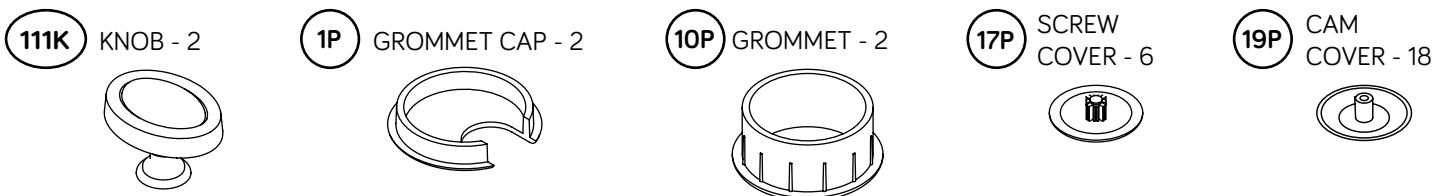
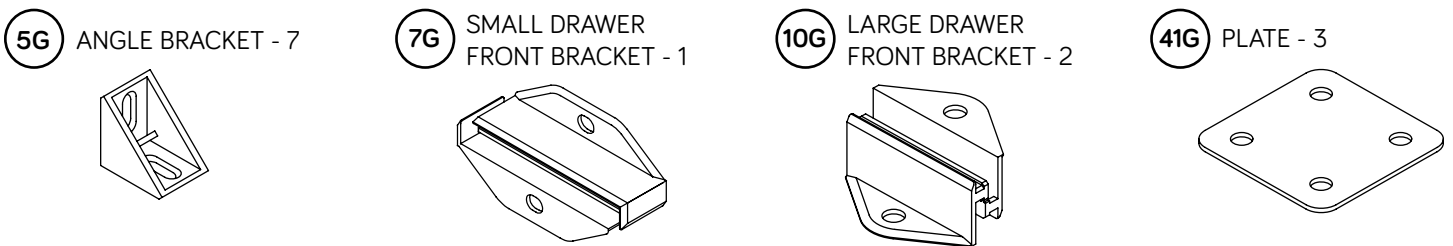
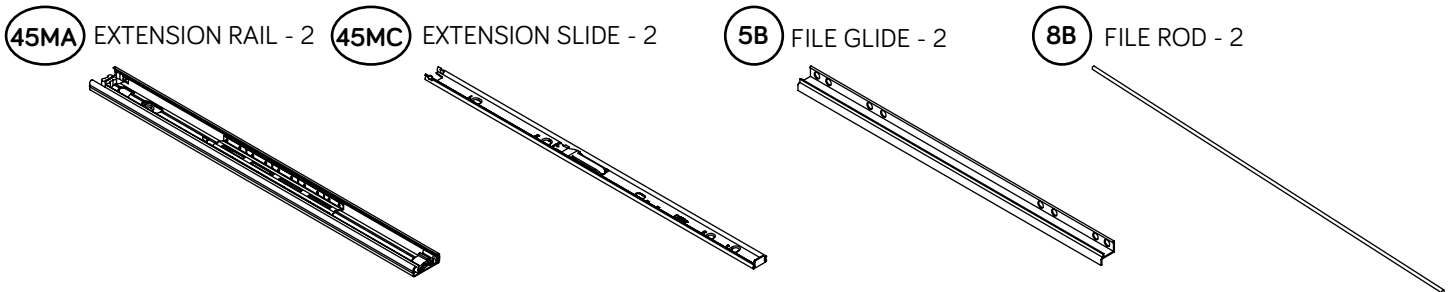
A	RIGHT END (1)	D707	SMALL DRAWER BOTTOM (1)	N	SMALL DRAWER FRONT (1)
B	LEFT END (1)	D708	LARGE DRAWER BOTTOM (1)	O	BACK (1)
C	SMALL TOP (1)	E	LEFT UPRIGHT (1)	P	LONG TOP MOLDING (1)
D	LARGE TOP (1)	F	LEFT FRONT LEG (3)	Q	SHORT TOP MOLDING (1)
D32	LARGE LEFT DRAWER SIDE (1)	G	RIGHT FRONT LEG (3)	R	BOTTOM MOLDING (1)
D33	LARGE RIGHT DRAWER SIDE (1)	H	CORNER UPRIGHT (1)	S	LEFT REAR LEG (1)
D53	SMALL RIGHT DRAWER SIDE (1)	J	LARGE MODESTY PANEL (1)	T	RIGHT REAR LEG (1)
D59	SMALL LEFT DRAWER SIDE (1)	K	SMALL MODESTY PANEL (1)	U	LARGE DRAWER FRONT (1)
D78	LARGE DRAWER BACK (1)	L	SHELF (1)		
D109	SMALL DRAWER BACK (1)	M	BOTTOM (1)		



Hardware Identification



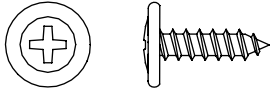
(EXTENSION SET SHOWN SEPARATED)



Hardware Identification

† Screws are shown actual size. You may receive extra hardware with your unit.

1S BLACK 9/16" LARGE HEAD SCREW - 32



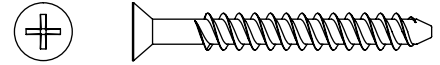
3S GOLD 5/16" FLAT HEAD SCREW - 16



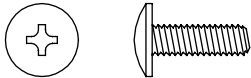
10S SILVER 1-1/8" FLAT HEAD SCREW - 4



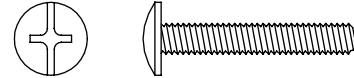
30S BLACK 1-9/16" FLAT HEAD SCREW - 8



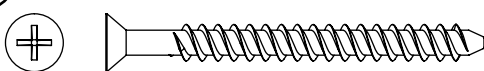
38S SILVER 1/2" MACHINE SCREW - 1



50S GOLD 1" MACHINE SCREW - 1



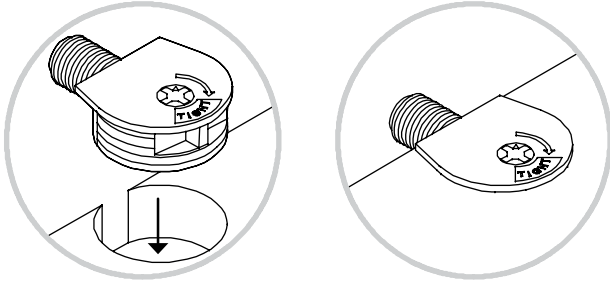
113S BLACK 1-15/16" FLAT HEAD SCREW - 5



Hardware Usage Guide

HOW TO USE A TWIST-LOCK® FASTENER

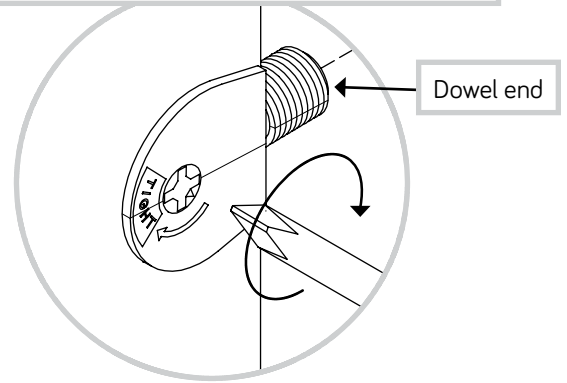
1. Push a TWIST-LOCK® FASTENER into the large hole in the part.



2. 1. Insert the dowel end of the FASTENER into the hole of the adjoining part.

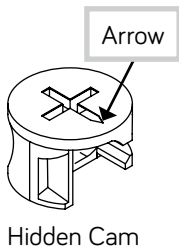
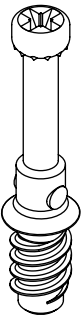
NOTE: The dowel end of the FASTENER must remain fully inserted in the hole of the adjoining part while locking the FASTENER.

2. Tighten the FASTENER with a Phillips screwdriver as tight as possible.

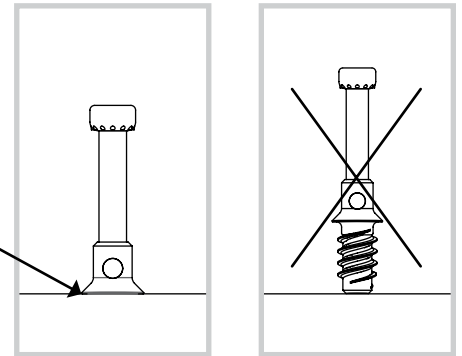


HOW TO USE A HIDDEN CAM & CAM SCREW

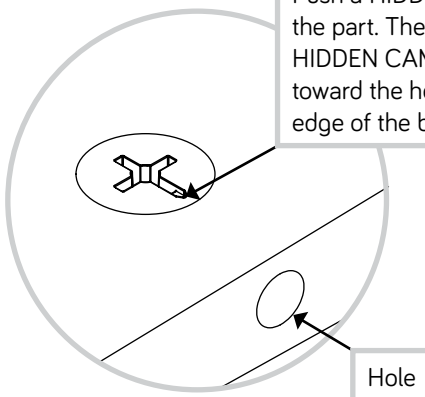
Cam Screw



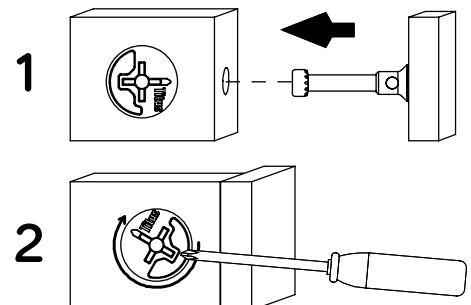
1. Turn the CAM SCREW until the shoulder is against the surface of the part.



2. Push a HIDDEN CAM into the part. The arrow in the HIDDEN CAM must point toward the hole in the edge of the board.



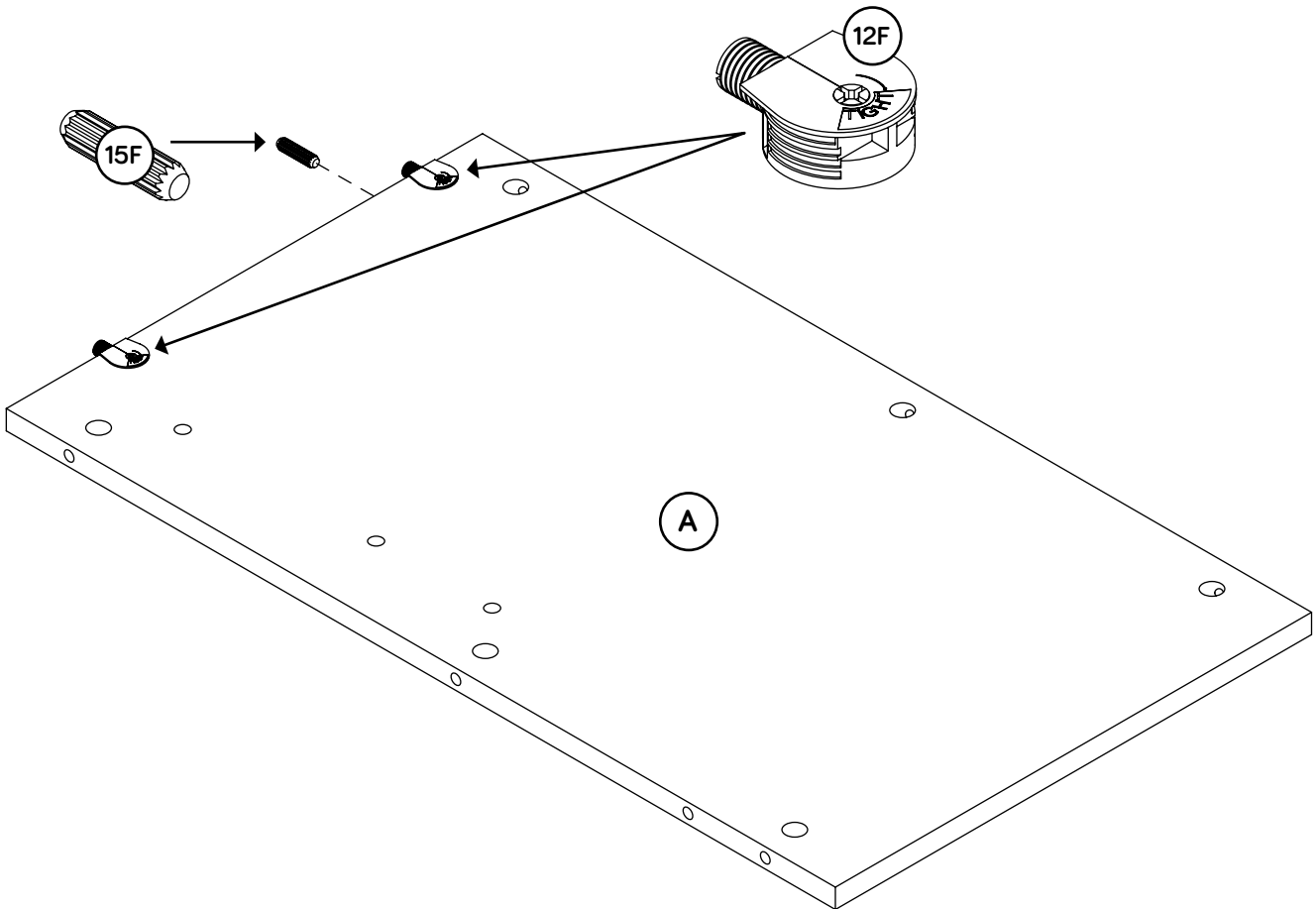
3. Insert the CAM SCREW into the HIDDEN CAM. Tighten the HIDDEN CAM.



Step 1

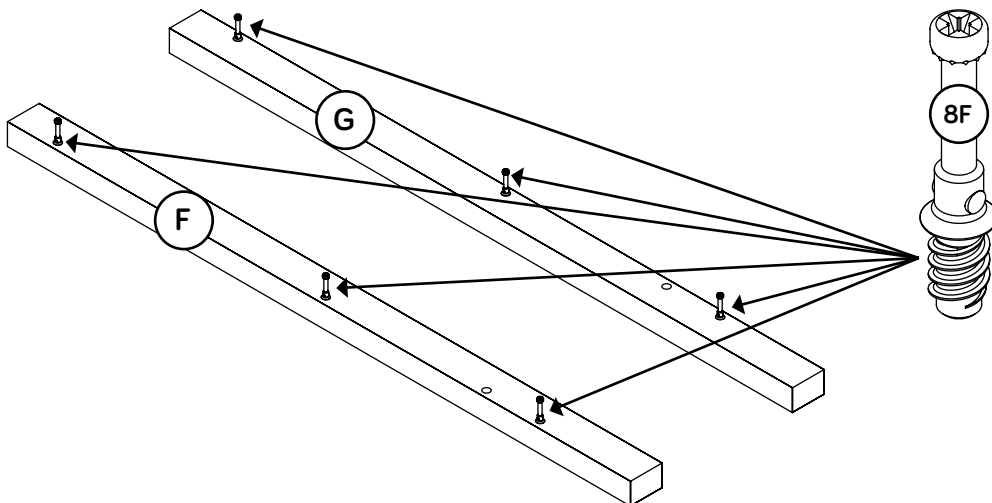
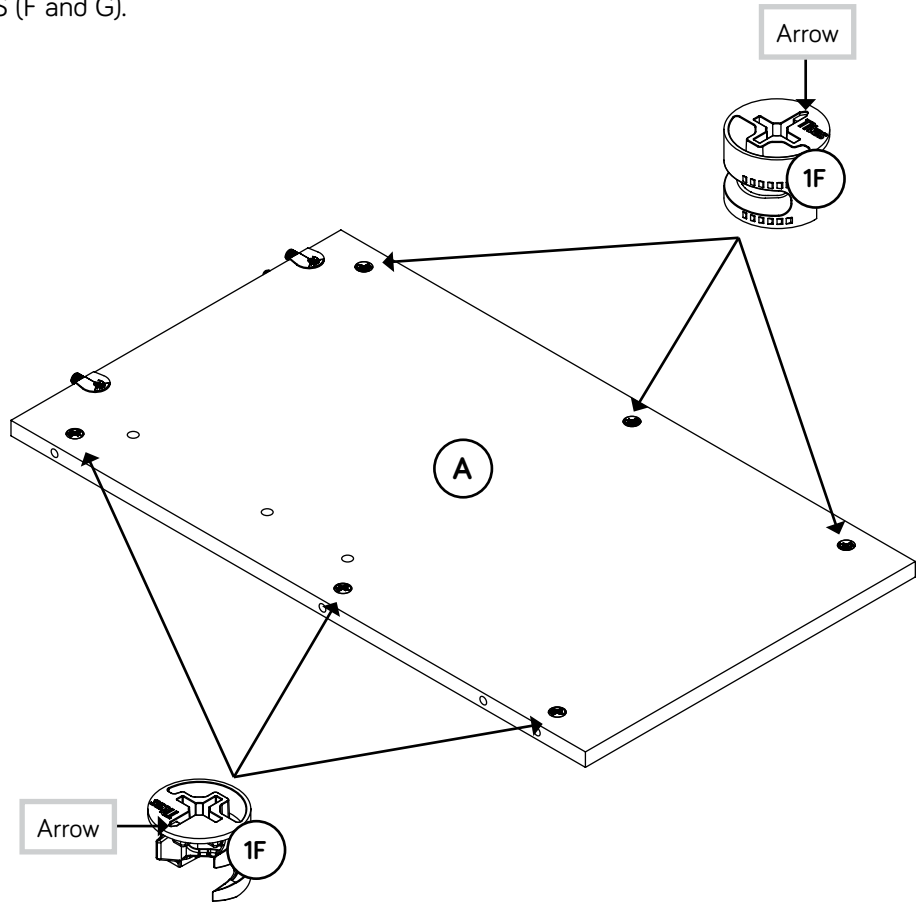
- ✚ **NOTE:** Two people are needed to build this unit.
- ✚ Assemble your unit on a carpeted floor or on the empty carton to avoid scratching your unit or the floor.
- ✚ To begin assembly, push two SAUDER TWIST-LOCK® FASTENERS (12F) into the large holes in the RIGHT END (A).
- ✚ Insert one WOOD DOWEL (15F) into the RIGHT END (A).

Do not tighten the TWIST-LOCK® FASTENERS in this step.



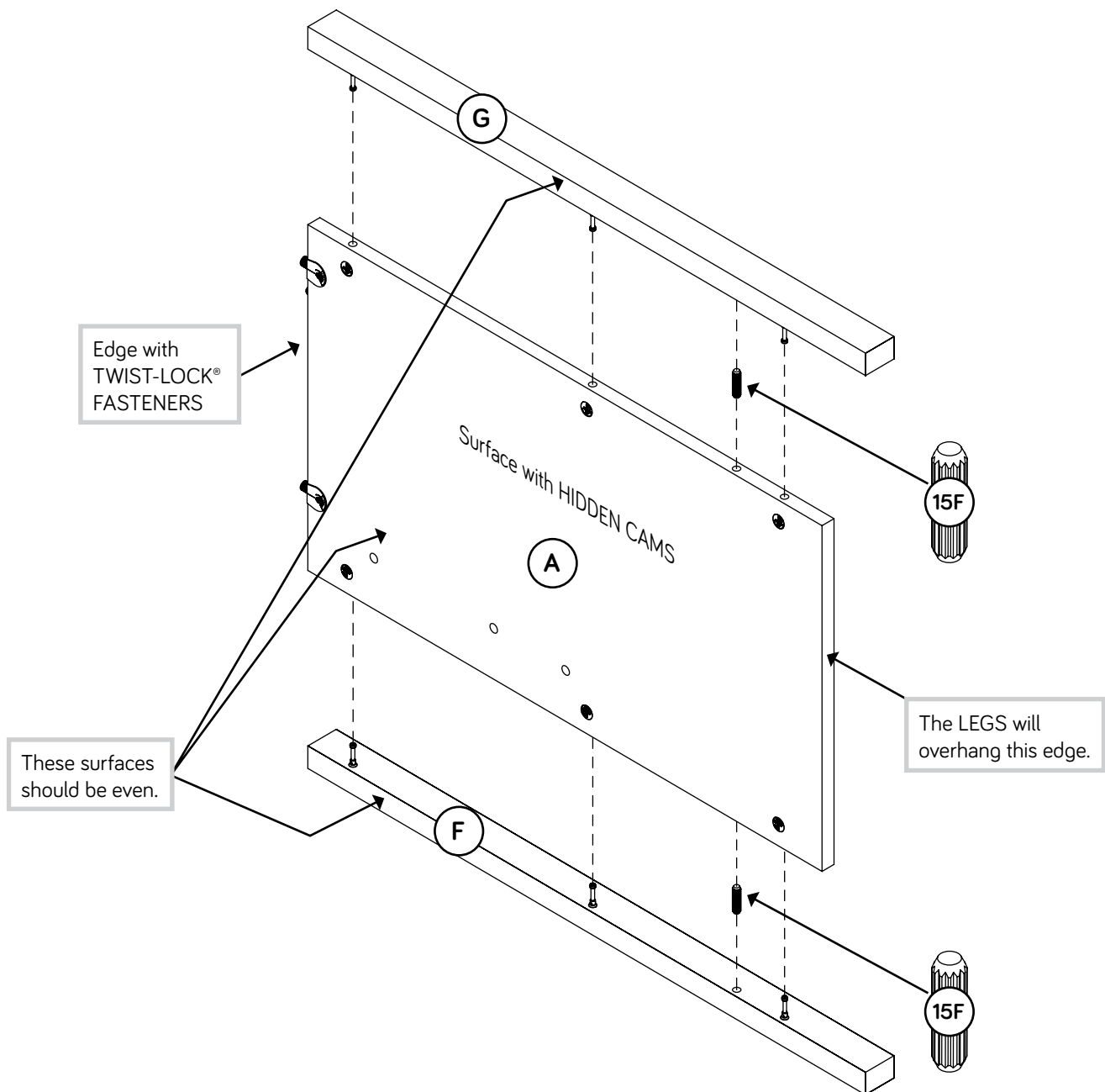
Step 2

- Push six HIDDEN CAMS (1F) into the RIGHT END (A).
- Turn six CAM SCREWS (8F) into the LEGS (F and G).



Step 3

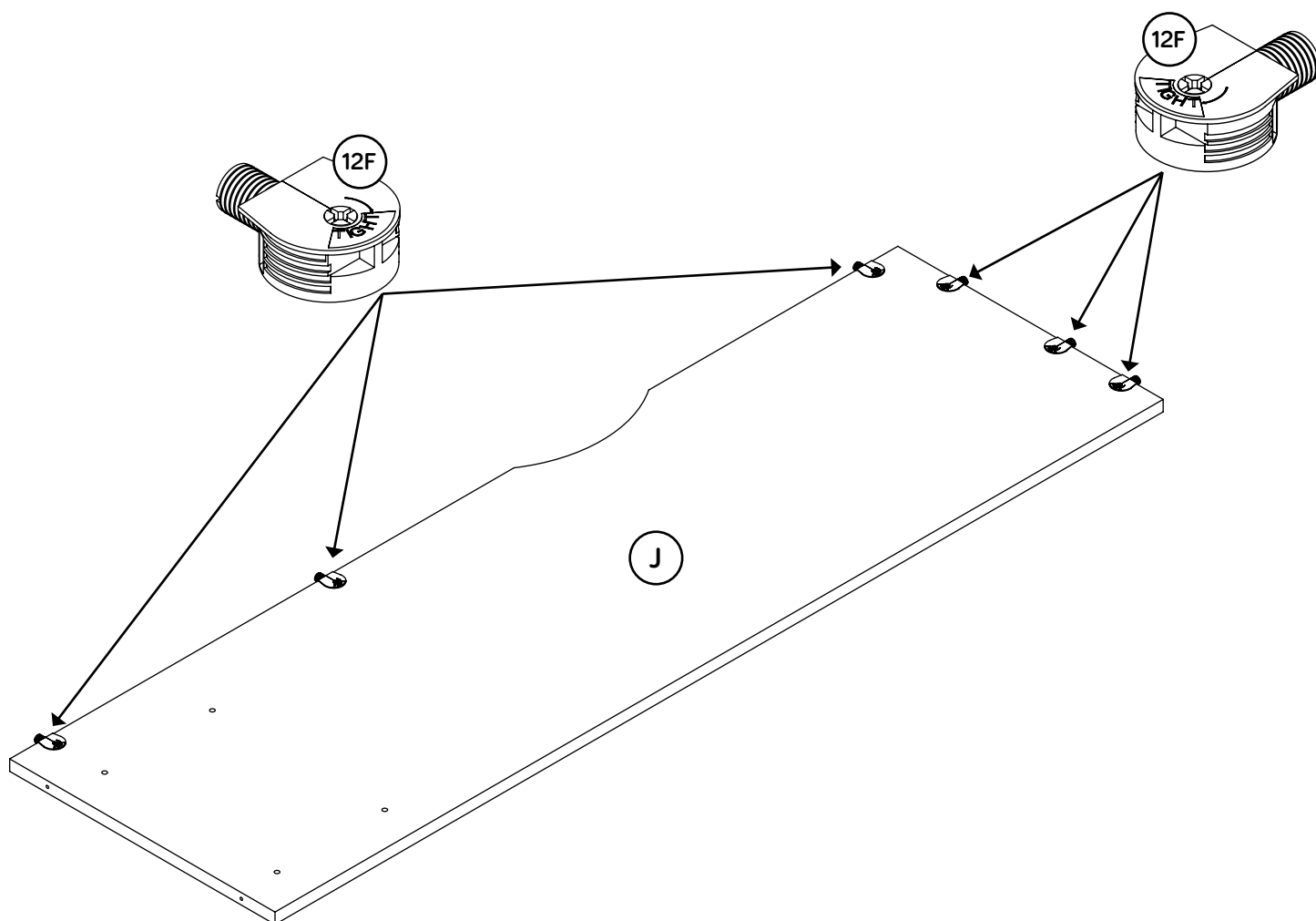
- ✚ Insert two WOOD DOWELS (15F) into the LEGS (F and G).
- ✚ Fasten the LEGS (F and G) to the RIGHT END (A). Tighten six HIDDEN CAMS.
- ✚ NOTE: Be sure the WOOD DOWELS in the LEGS insert into the END.



Step 4

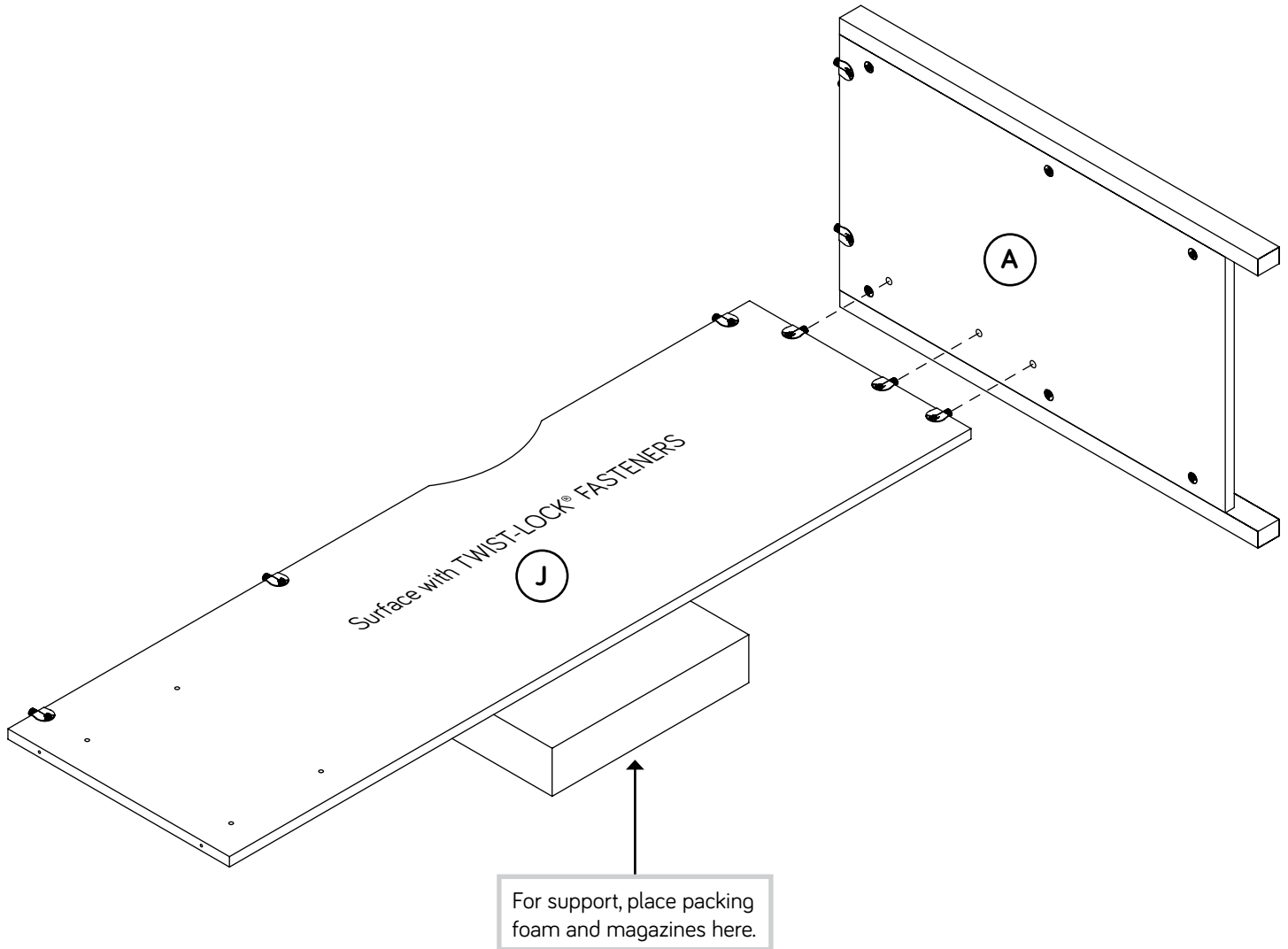
- Push six SAUDER TWIST-LOCK® FASTENERS (12F) into the large holes in the LARGE MODESTY PANEL (J).

Do not tighten the TWIST-LOCK® FASTENERS in this step.



Step 5

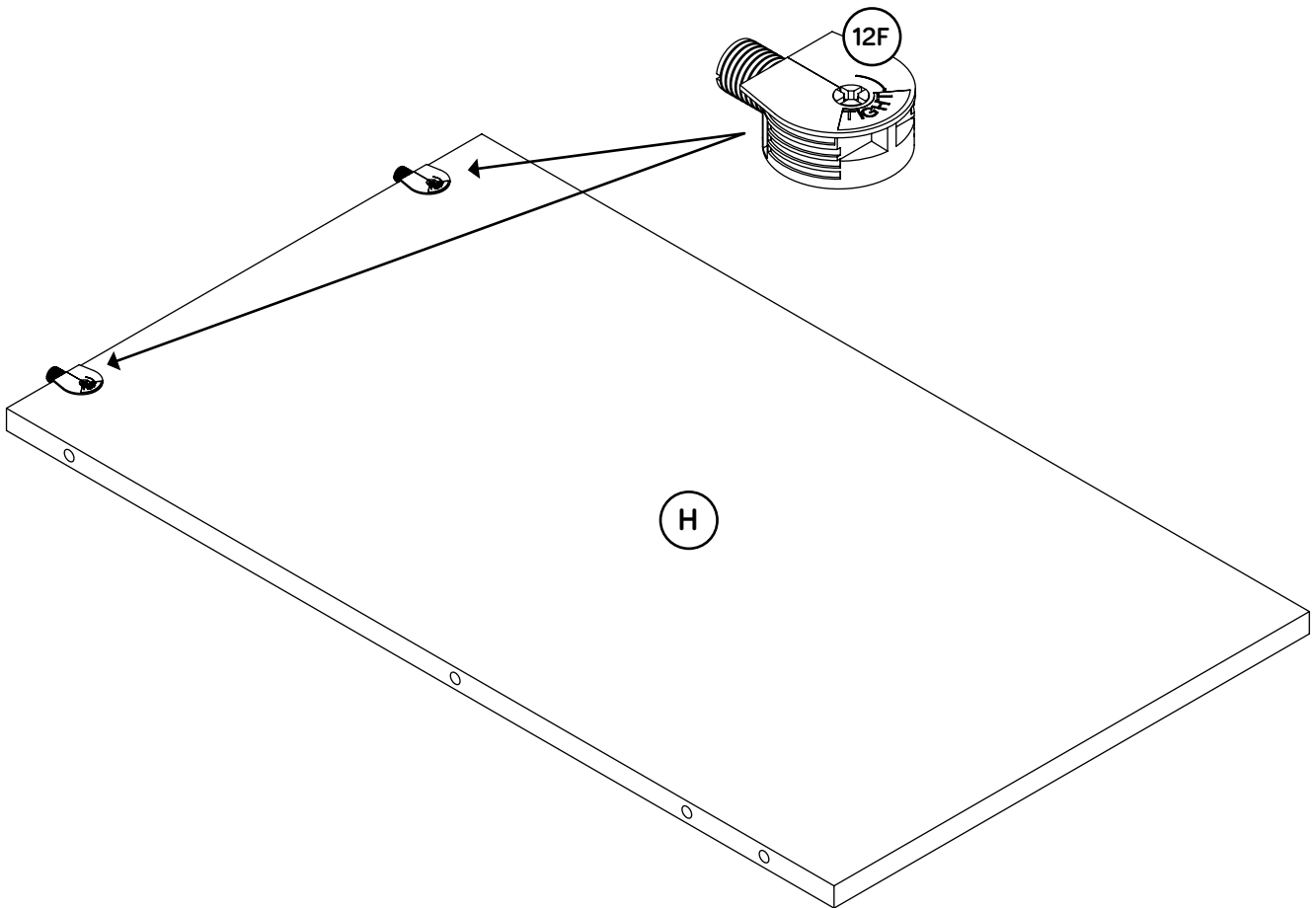
- Fasten the LARGE MODESTY PANEL (J) to the RIGHT END (A). Tighten three TWIST-LOCK® FASTENERS.



Step 6

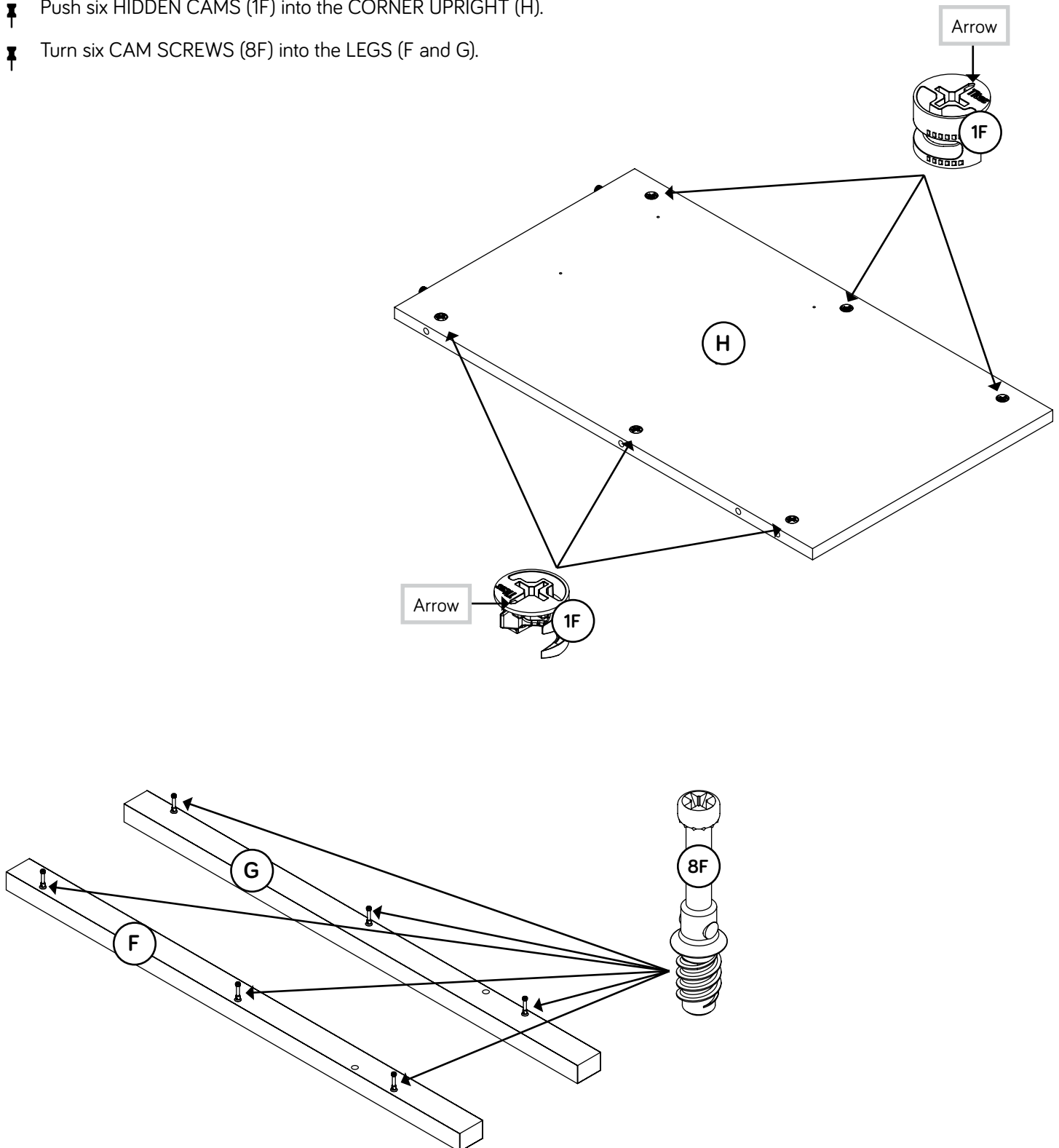
- Push two SAUDER TWIST-LOCK® FASTENERS (12F) into the large holes in the CORNER UPRIGHT (H).

Do not tighten the TWIST-LOCK® FASTENERS in this step.



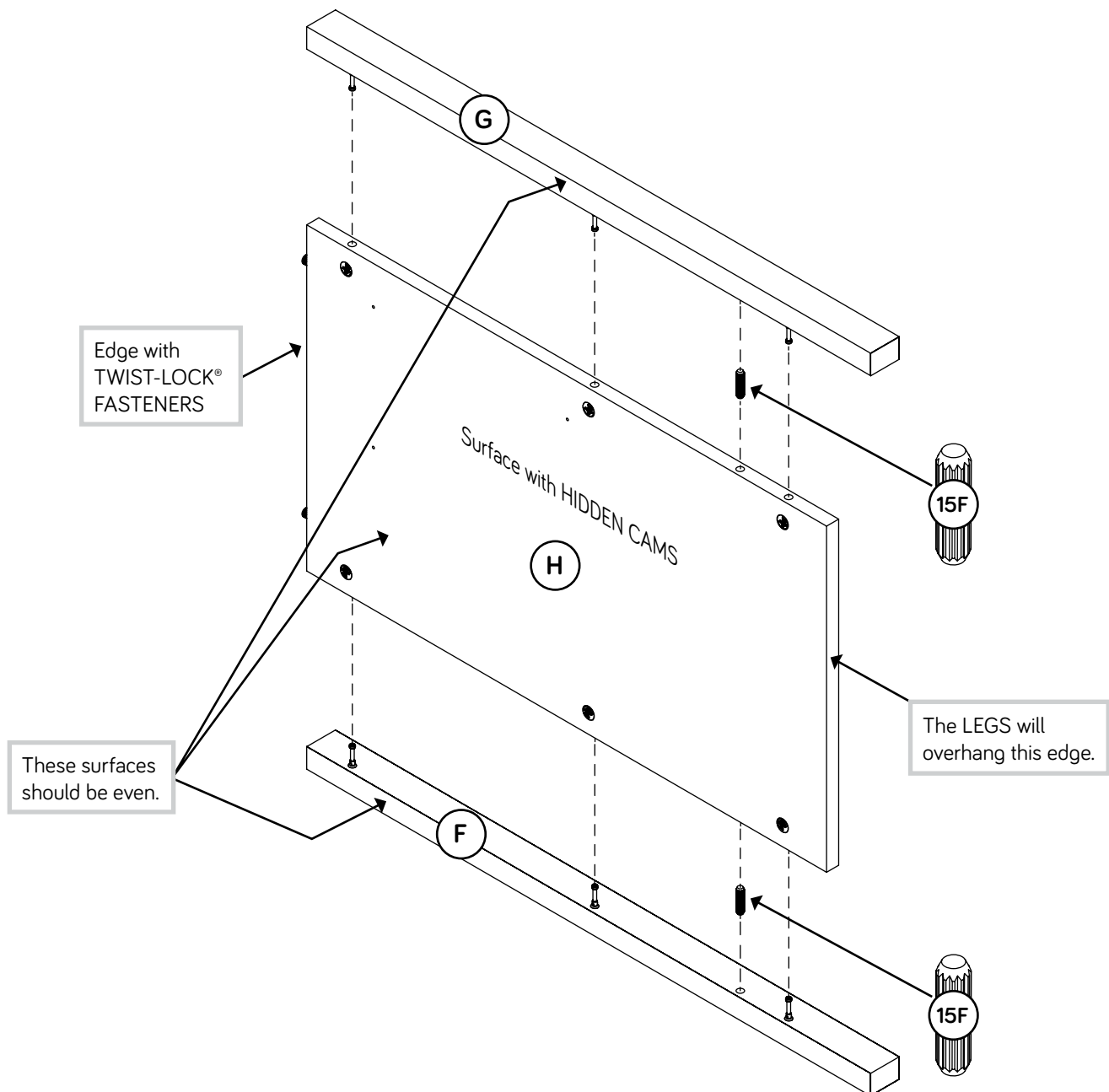
Step 7

- ✚ Carefully turn the CORNER UPRIGHT (H) over.
- ✚ Push six HIDDEN CAMS (1F) into the CORNER UPRIGHT (H).
- ✚ Turn six CAM SCREWS (8F) into the LEGS (F and G).



Step 8

- ✚ Insert two WOOD DOWELS (15F) into the LEGS (F and G).
- ✚ Fasten the LEGS (F and G) to the CORNER UPRIGHT (H).
Tighten six HIDDEN CAMS.
- ✚ NOTE: Be sure the WOOD DOWELS in the LEGS insert into the UPRIGHT.

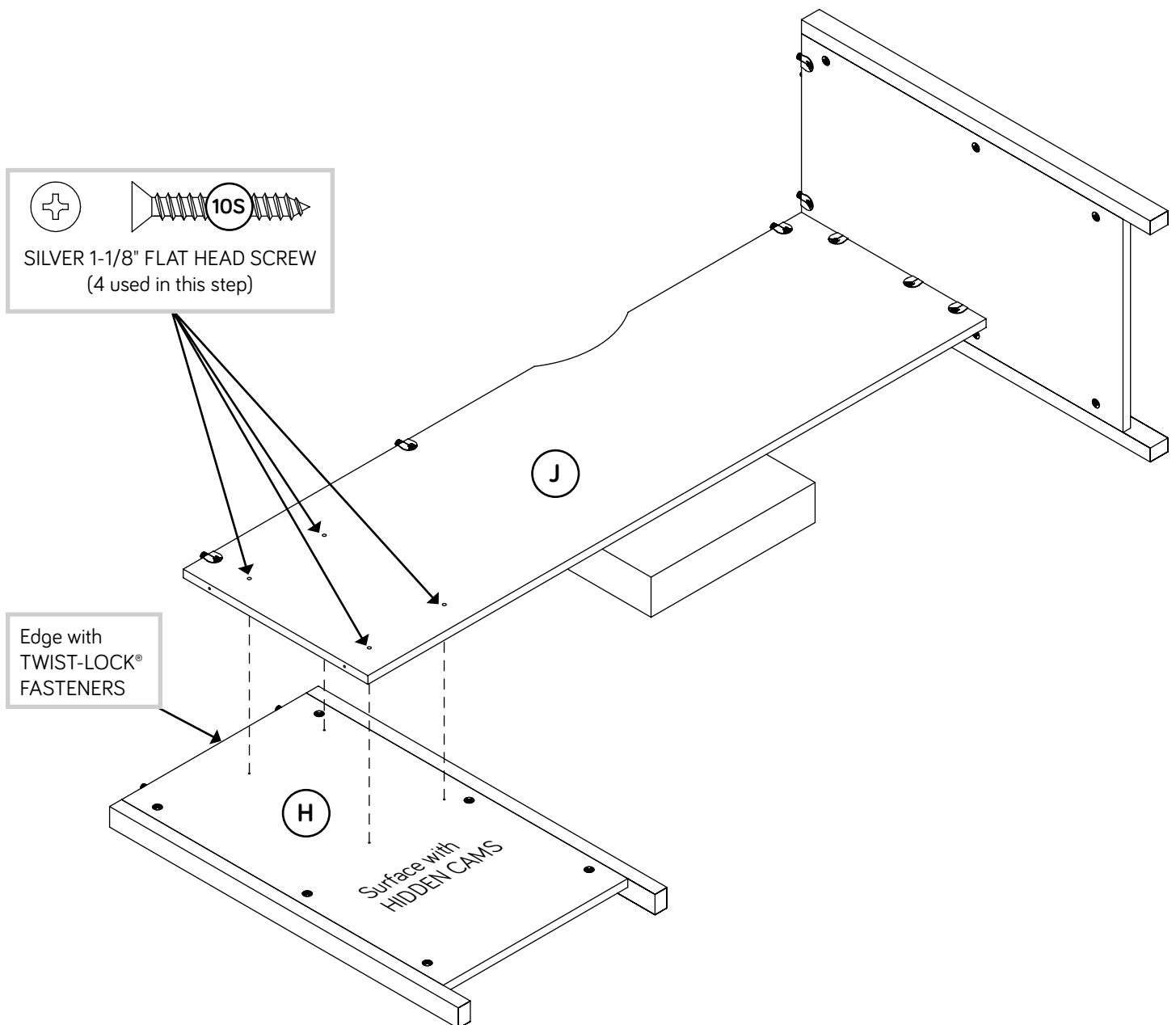


Step 9

✚ Fasten the CORNER UPRIGHT (H) to the LARGE MODESTY PANEL (J). Use four SILVER 1-1/8" FLAT HEAD SCREWS (10S).

✚ NOTE: You should start each SCREW a few turns before completely tightening any of them.

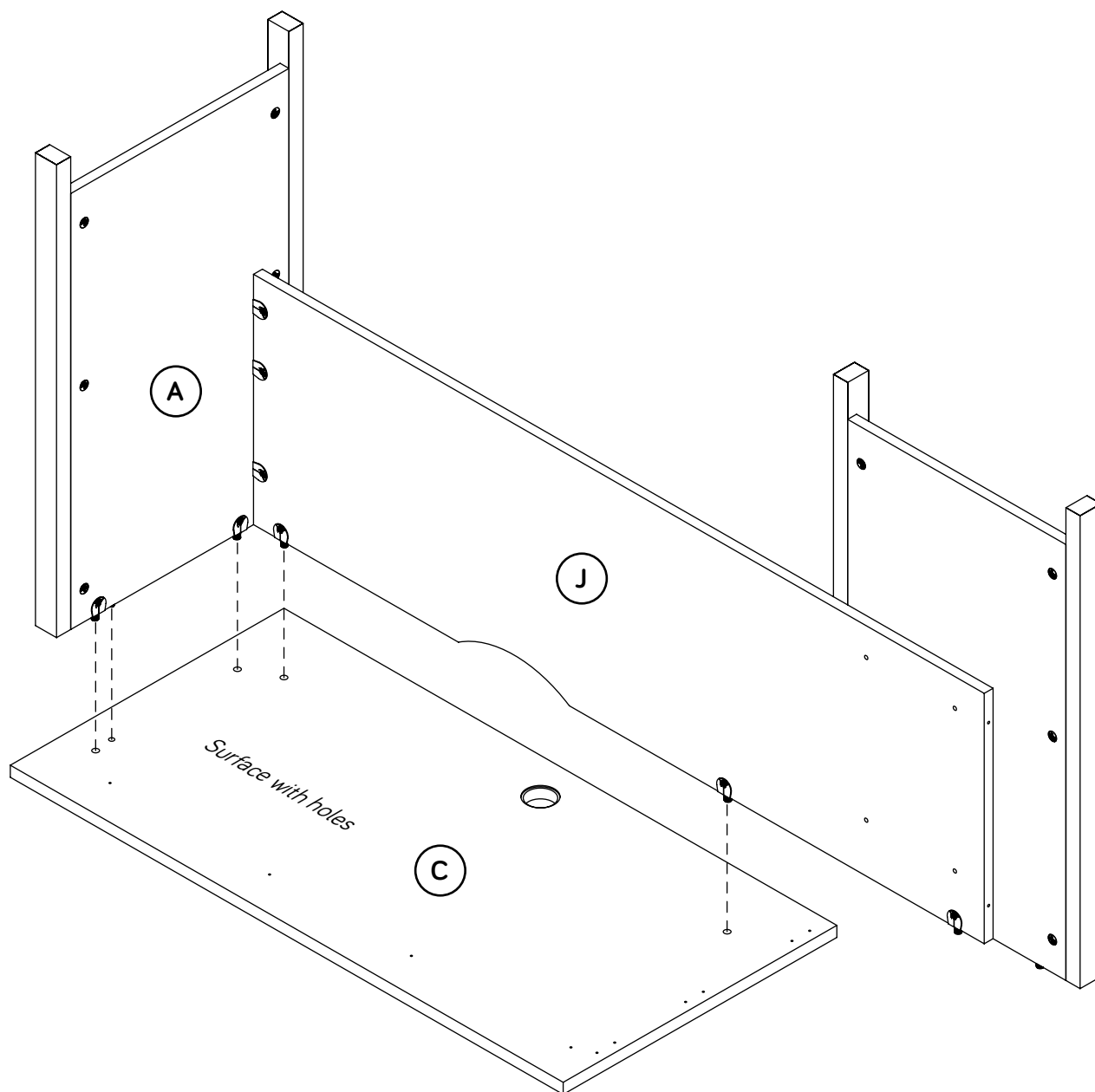
✚ NOTE: Do not overtighten the SCREWS into the UPRIGHT.



Step 10

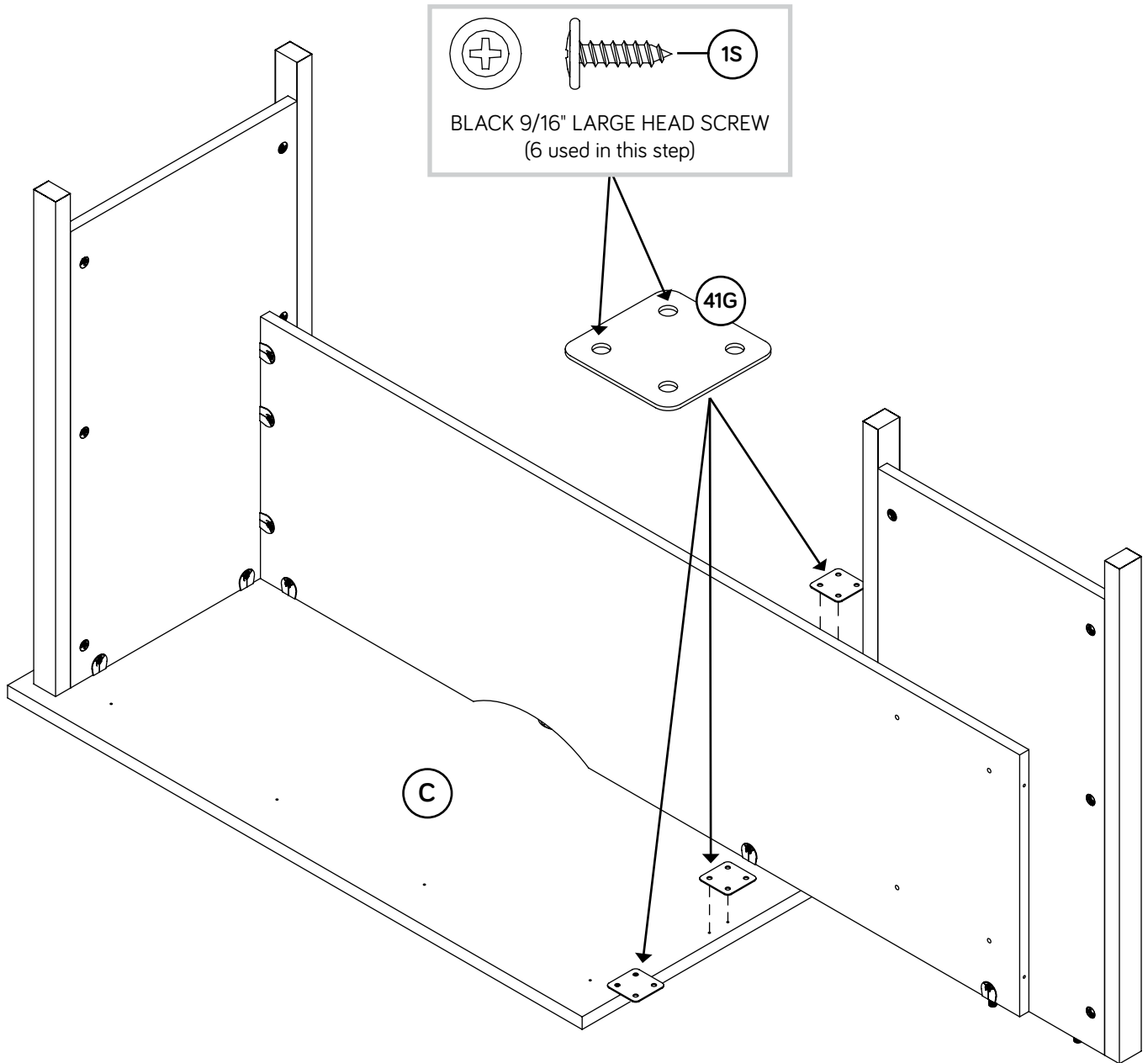
✚ With someone's help, fasten the RIGHT END (A) and LARGE MODESTY PANEL (J) to the SMALL TOP (C). Tighten four TWIST-LOCK® FASTENERS.

✚ NOTE: Be sure the WOOD DOWEL in the END inserts into the TOP.



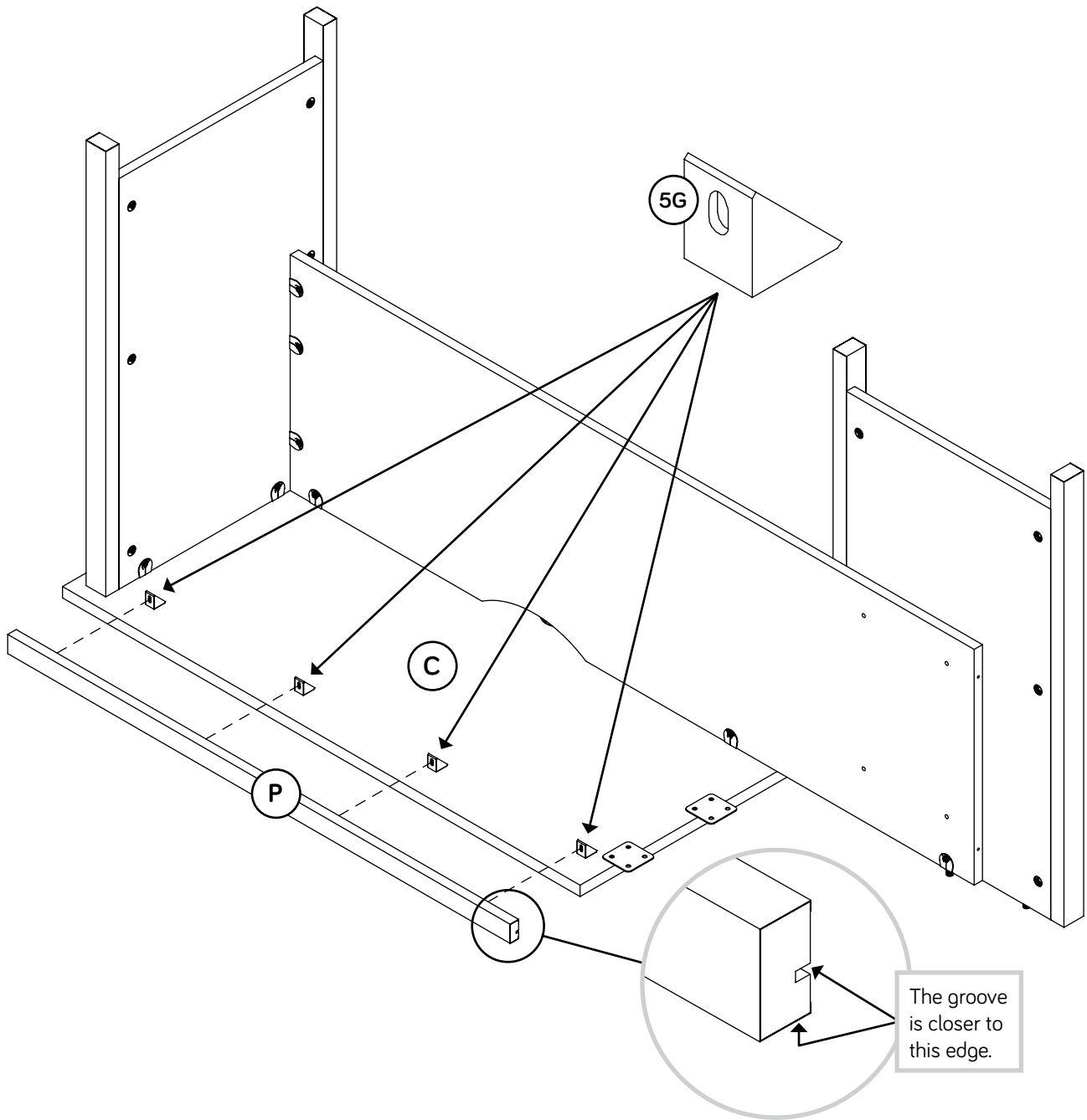
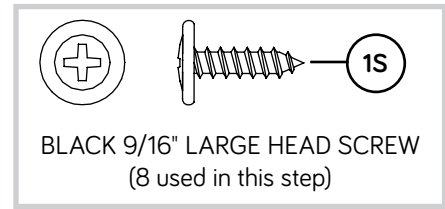
Step 11

- Fasten the PLATES (41G) to the SMALL TOP (C). Use six BLACK 9/16" LARGE HEAD SCREWS (1S).



Step 12

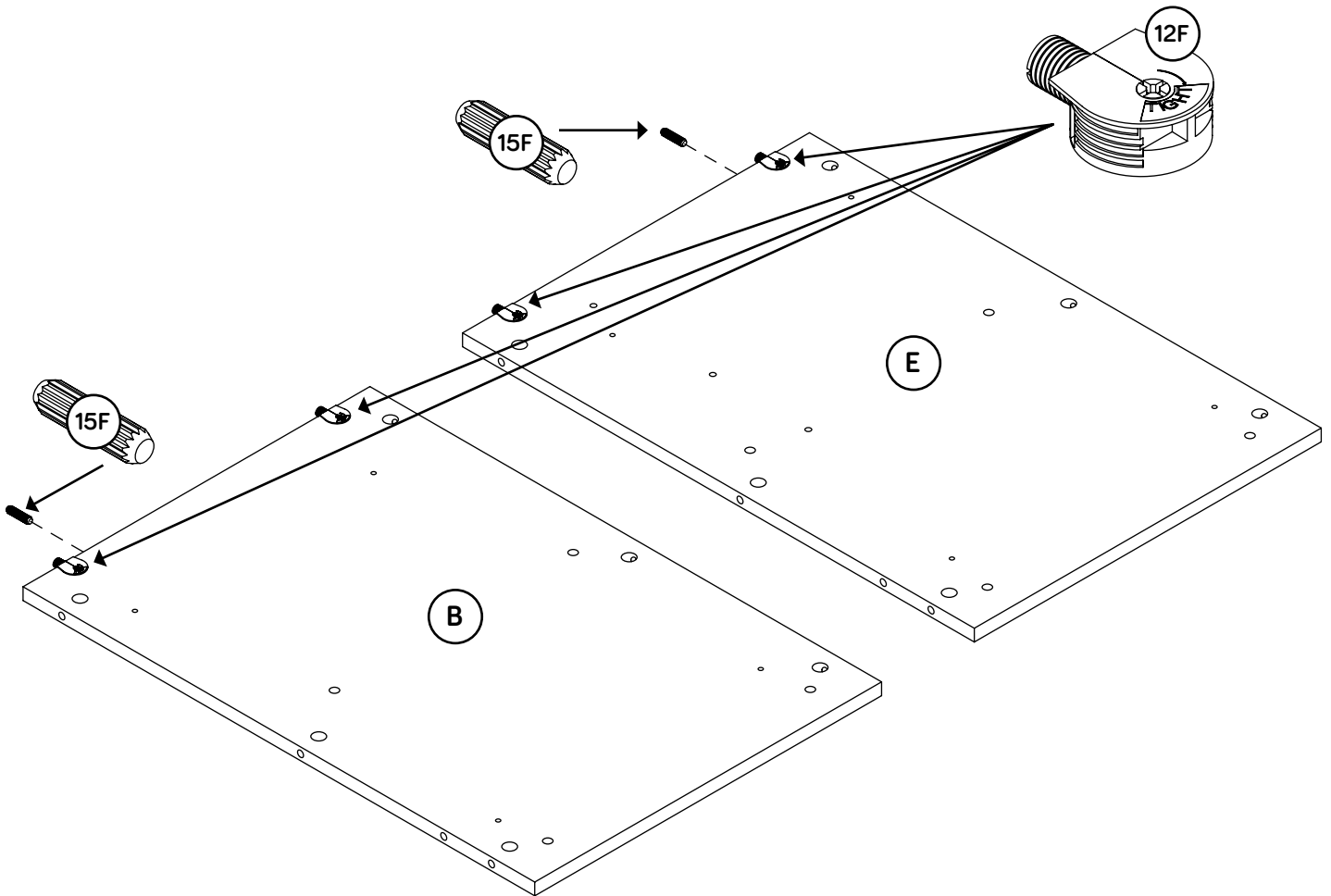
- Fasten four ANGLE BRACKETS (5G) to the SMALL TOP (C). Use four BLACK 9/16" LARGE HEAD SCREWS (1S).
- Fasten the LONG TOP MOLDING (P) to the ANGLE BRACKETS on the SMALL TOP (C). Use four BLACK 9/16" LARGE HEAD SCREWS (1S).
- NOTE:** There are no pre-drilled holes in the MOLDING. The SCREWS will tighten into the groove.



Step 13

- ✚ Insert two WOOD DOWELS (15F) into the LEFT END (B) and LEFT UPRIGHT (E).
- ✚ Push four SAUDER TWIST-LOCK® FASTENERS (12F) into the large holes in the LEFT END (B) and LEFT UPRIGHT (E).

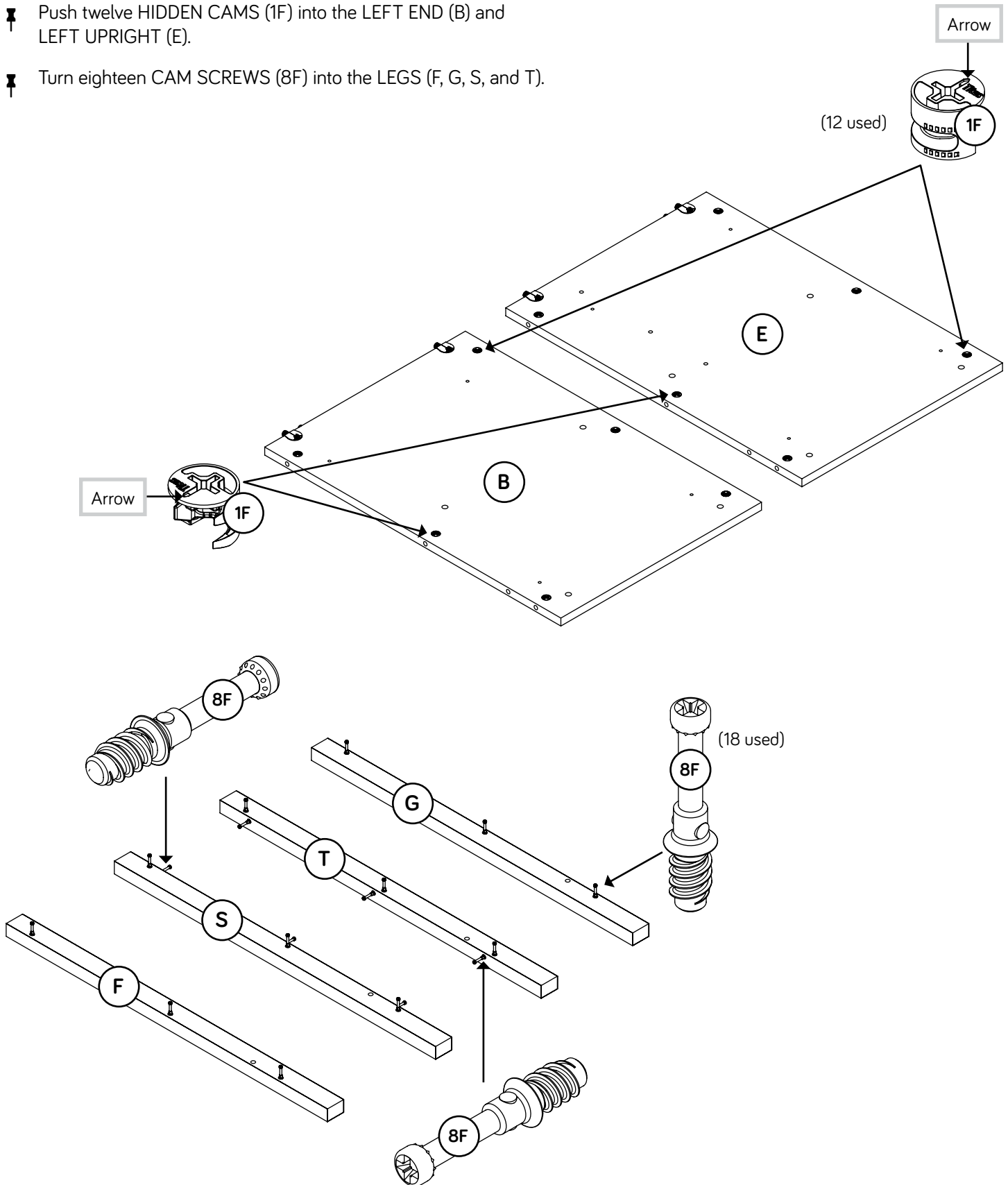
Do not tighten the TWIST-LOCK® FASTENERS in this step.



Step 14

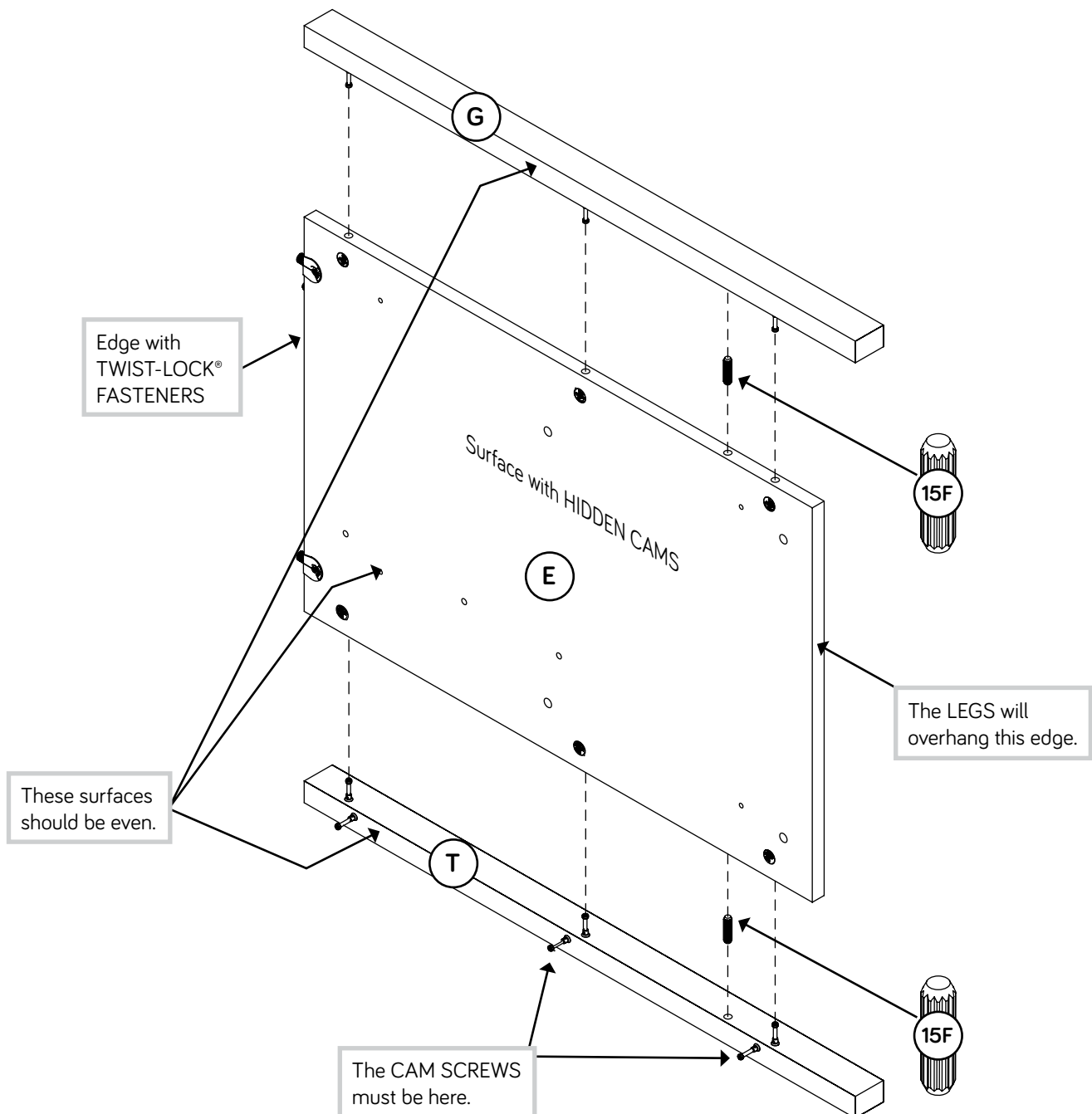
➤ Push twelve HIDDEN CAMS (1F) into the LEFT END (B) and LEFT UPRIGHT (E).

➤ Turn eighteen CAM SCREWS (8F) into the LEGS (F, G, S, and T).



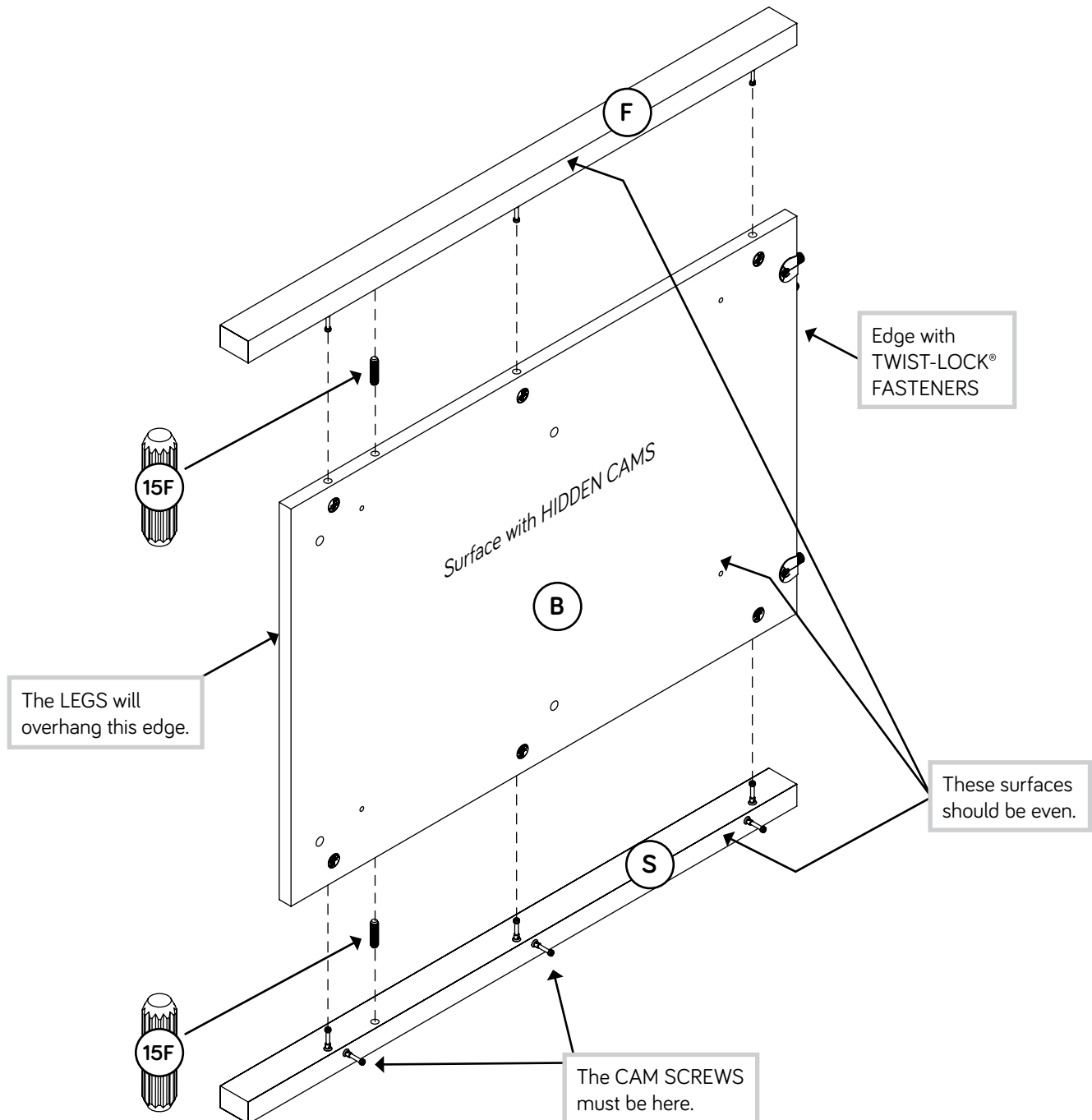
Step 15

- ✚ Insert two WOOD DOWELS (15F) into the LEGS (G and T).
- ✚ Fasten the LEGS (G and T) to the LEFT UPRIGHT (E).
Tighten six HIDDEN CAMS.
- ✚ NOTE: Be sure the WOOD DOWELS in the LEGS insert into the UPRIGHT.



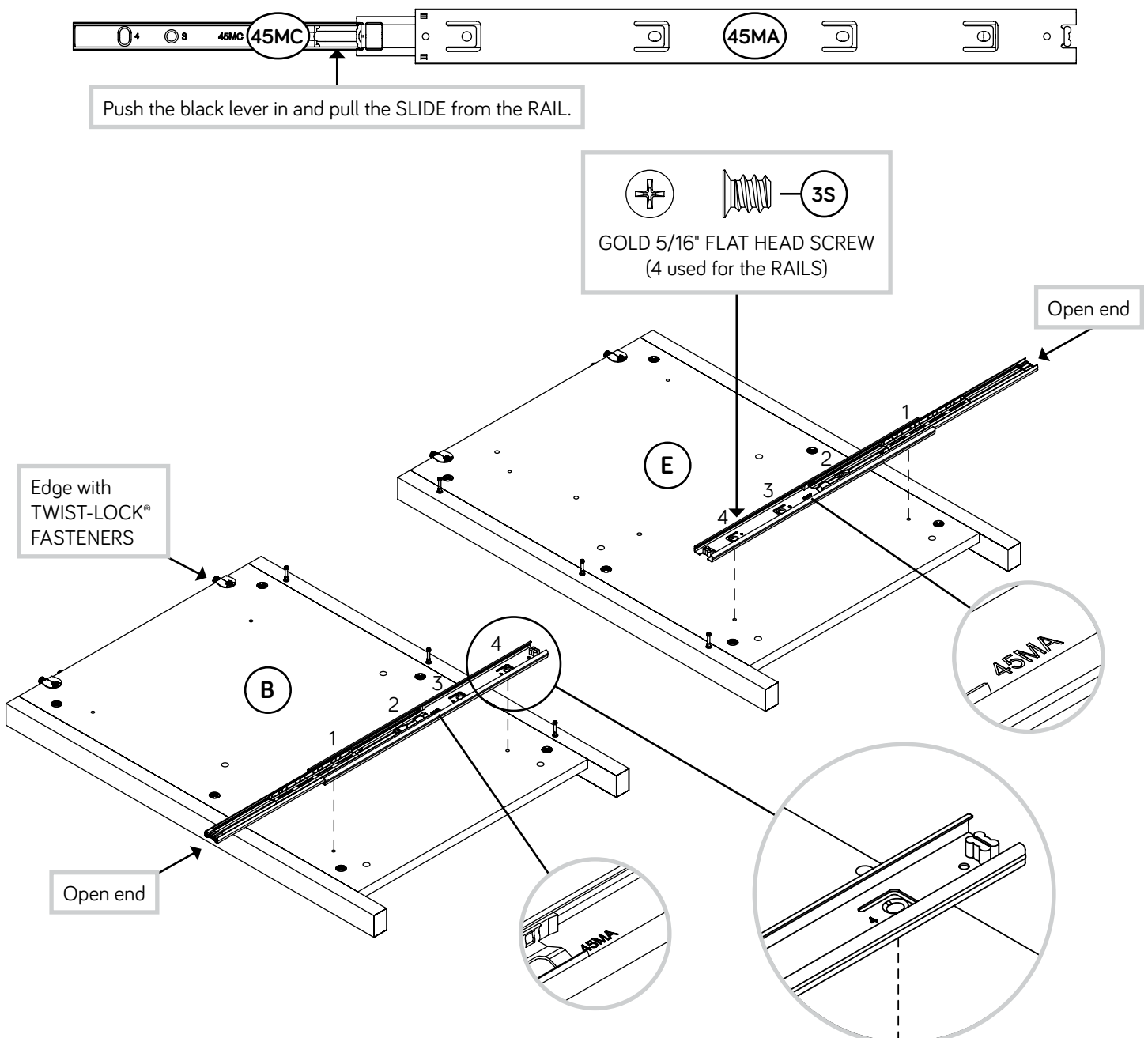
Step 16

- ✚ Insert two WOOD DOWELS (15F) into the LEGS (F and S).
- ✚ Fasten the LEGS (F and S) to the LEFT END (B). Tighten six HIDDEN CAMS.
- ✚ NOTE: Be sure the WOOD DOWELS in the LEGS insert into the END.



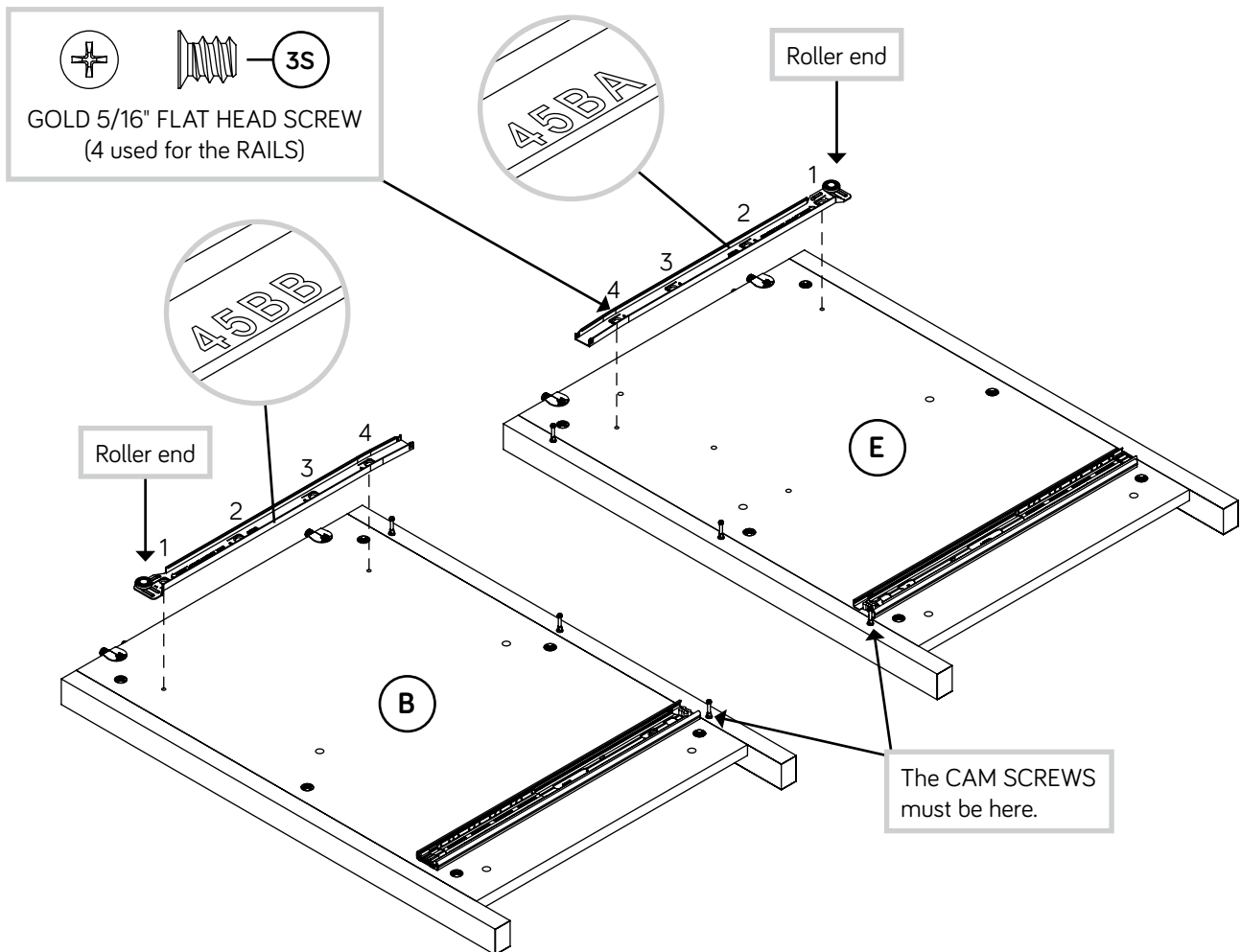
Step 17

- ✚ Separate the EXTENSION SLIDES (45MC) from the EXTENSION RAILS (45MA) as shown in the upper diagram below. Be prepared, the parts are greasy.
- ✚ Fasten the EXTENSION RAILS (45MA) to the LEFT END (B) and LEFT UPRIGHT (E). Use four GOLD 5/16" FLAT HEAD SCREWS (3S) through holes #1 and #4.
- ✚ **NOTE:** For each EXTENSION RAIL, turn a SCREW into the hole shown in the enlarged diagram. Then, slide the inner cartridge of the EXTENSION RAIL in to find the other hole that lines up with the hole in the END and UPRIGHT. Turn a SCREW into this hole.
- ✚ **NOTE:** The EXTENSION SLIDES will be used later for the LARGE DRAWER.



Step 18

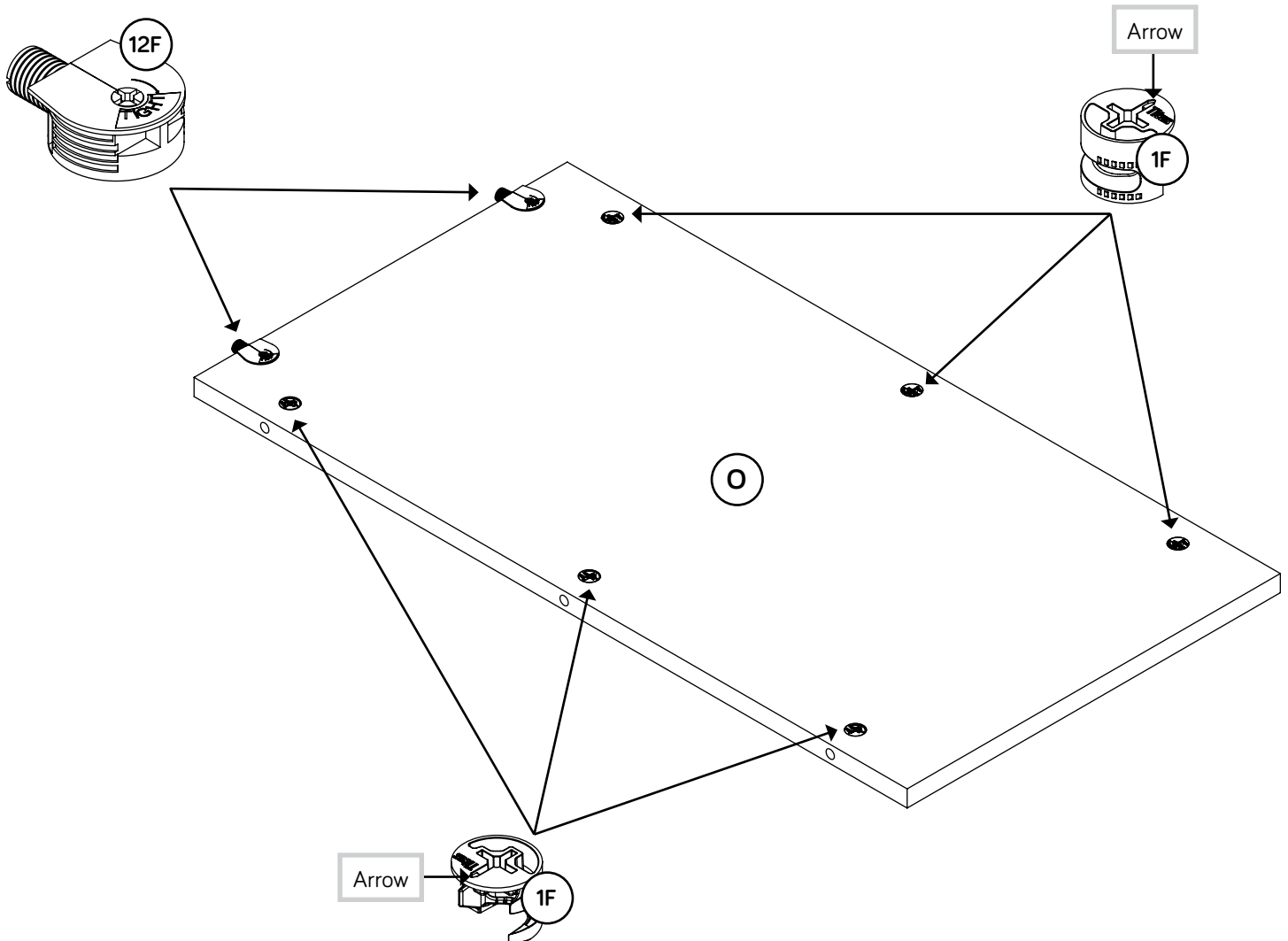
- Fasten the CABINET RIGHT (45BA) to the LEFT UPRIGHT (E). Use two GOLD 5/16" FLAT HEAD SCREWS (3S) through holes #1 and #4.
- Fasten the CABINET LEFT (45BB) to the LEFT END (B). Use two GOLD 5/16" FLAT HEAD SCREWS (3S) through holes #1 and #4.



Step 19

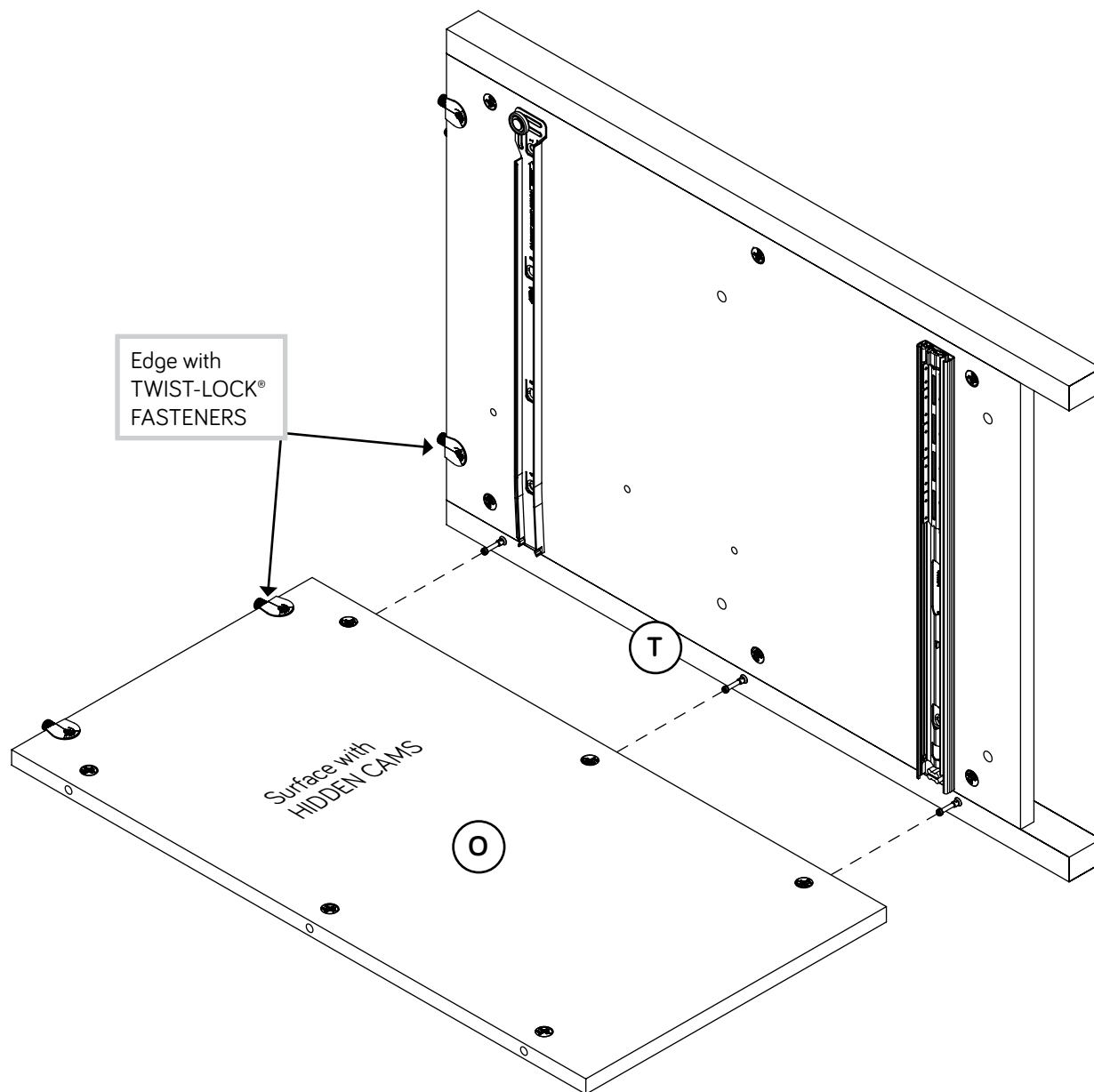
- ✚ Push two SAUDER TWIST-LOCK® FASTENERS (12F) into the large holes in the BACK (O).
- ✚ Push six HIDDEN CAMS (1F) into the BACK (O).

Do not tighten the TWIST-LOCK® FASTENERS in this step.



Step 20

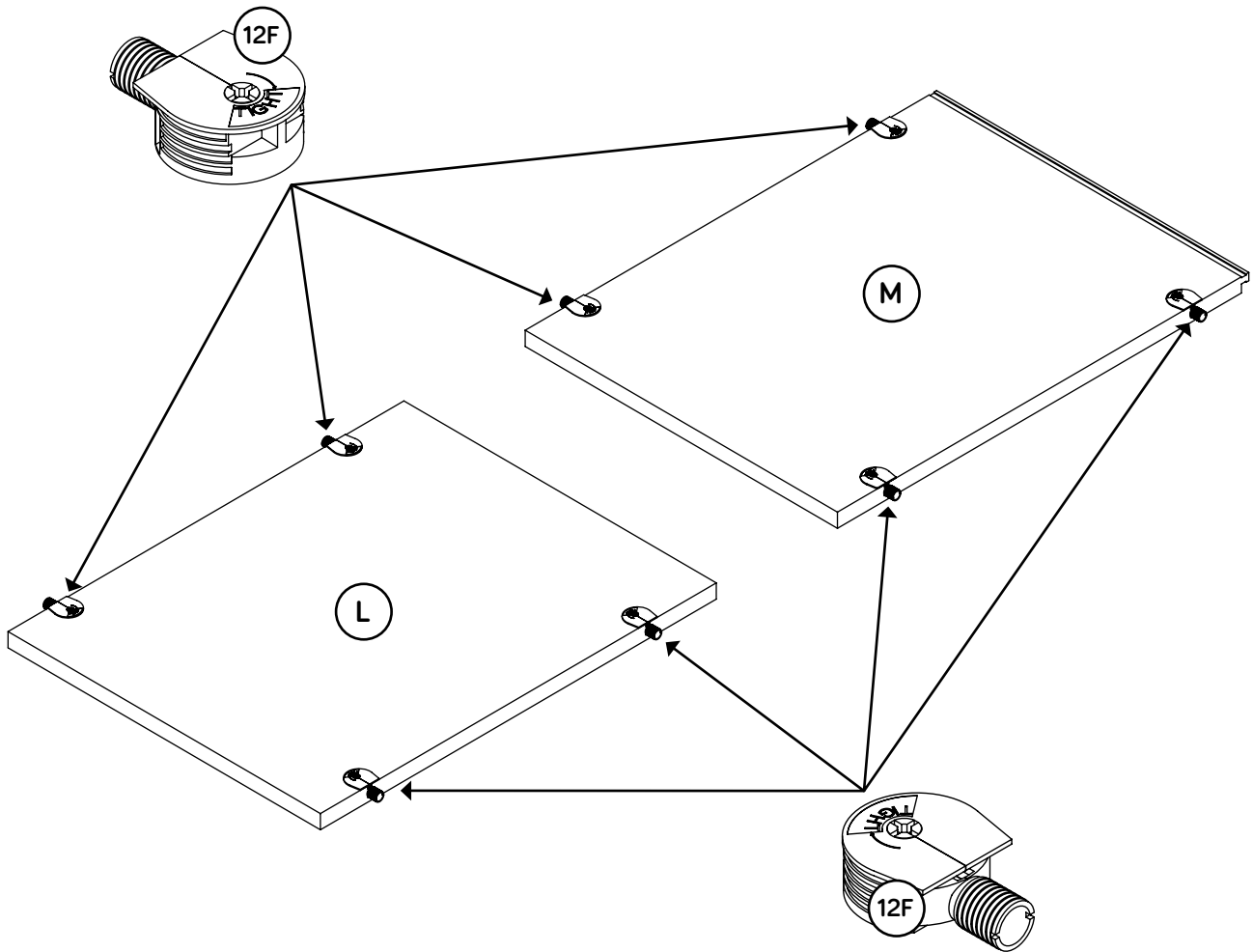
- Fasten the BACK (O) to the RIGHT REAR LEG (T). Tighten three HIDDEN CAMS.



Step 21

- Push eight SAUDER TWIST-LOCK® FASTENERS (12F) into the large holes in the SHELF (L) and BOTTOM (M).

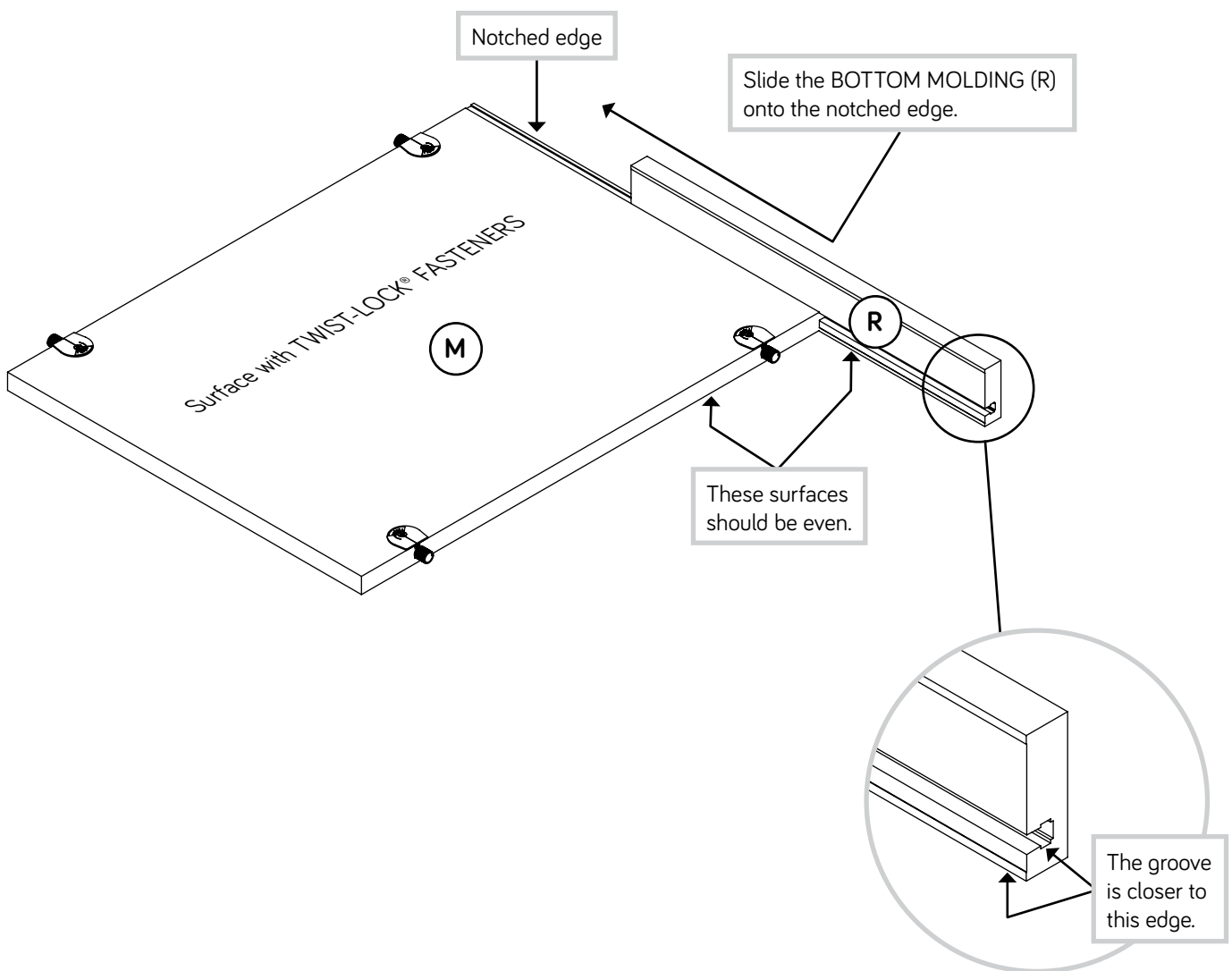
Do not tighten the TWIST-LOCK® FASTENERS in this step.



Step 22

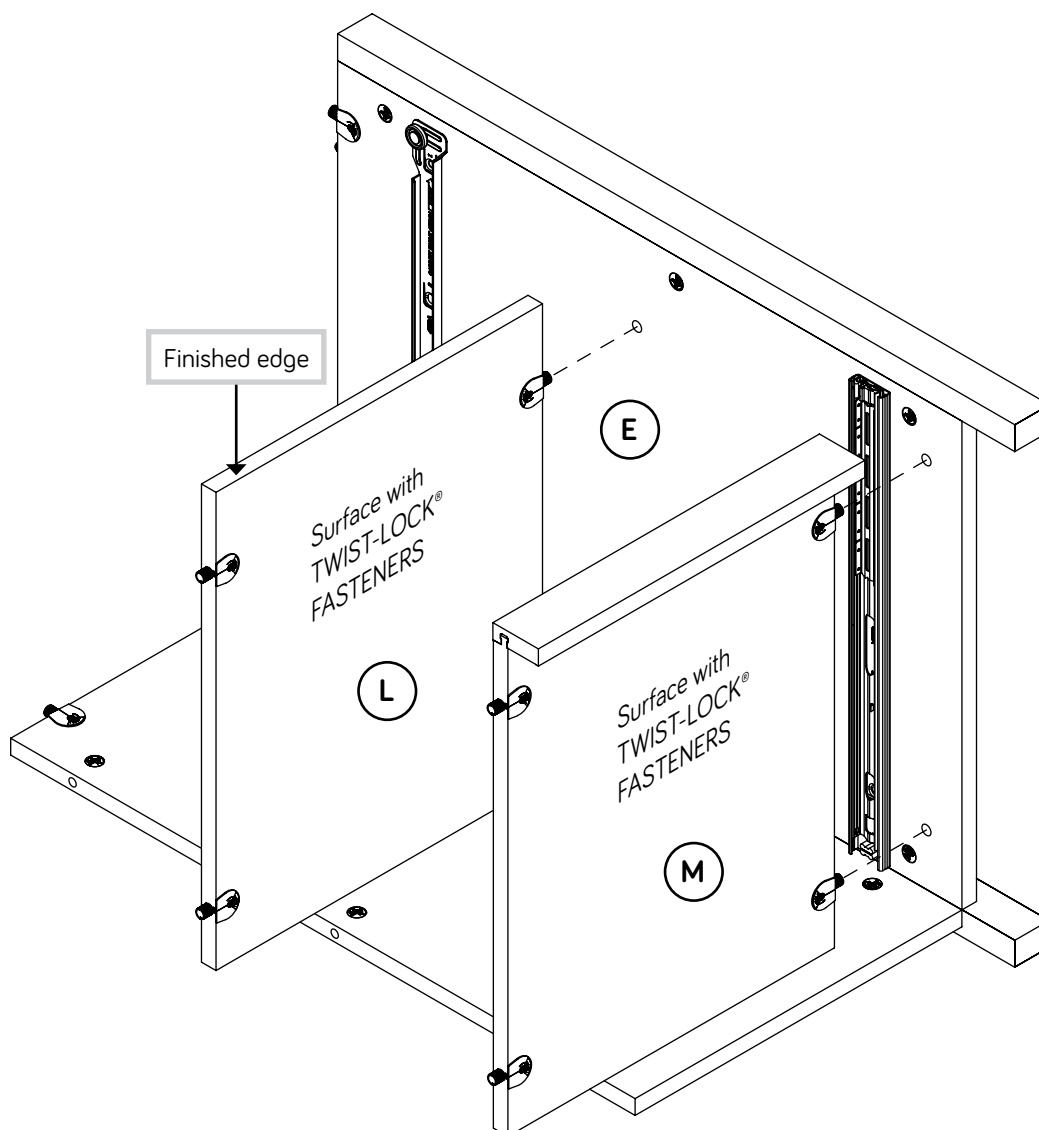
Slide the BOTTOM MOLDING* (R) onto the notched edge of the BOTTOM (M).

*U.S. Patent No. 5,499,886



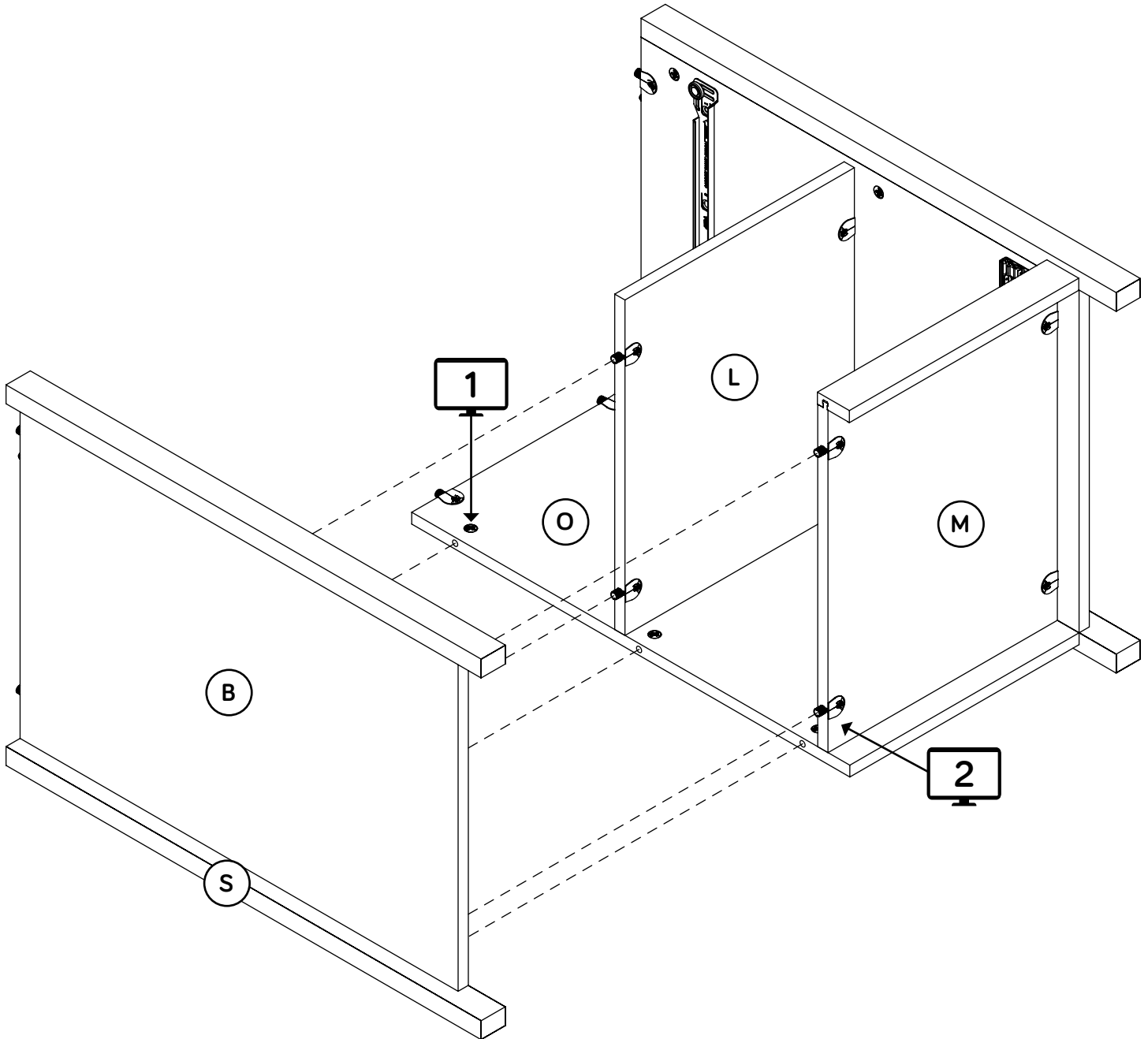
Step 23

- Fasten the SHELF (L) and BOTTOM (M) to the LEFT UPRIGHT (E). Tighten four TWIST-LOCK® FASTENERS.



Step 24

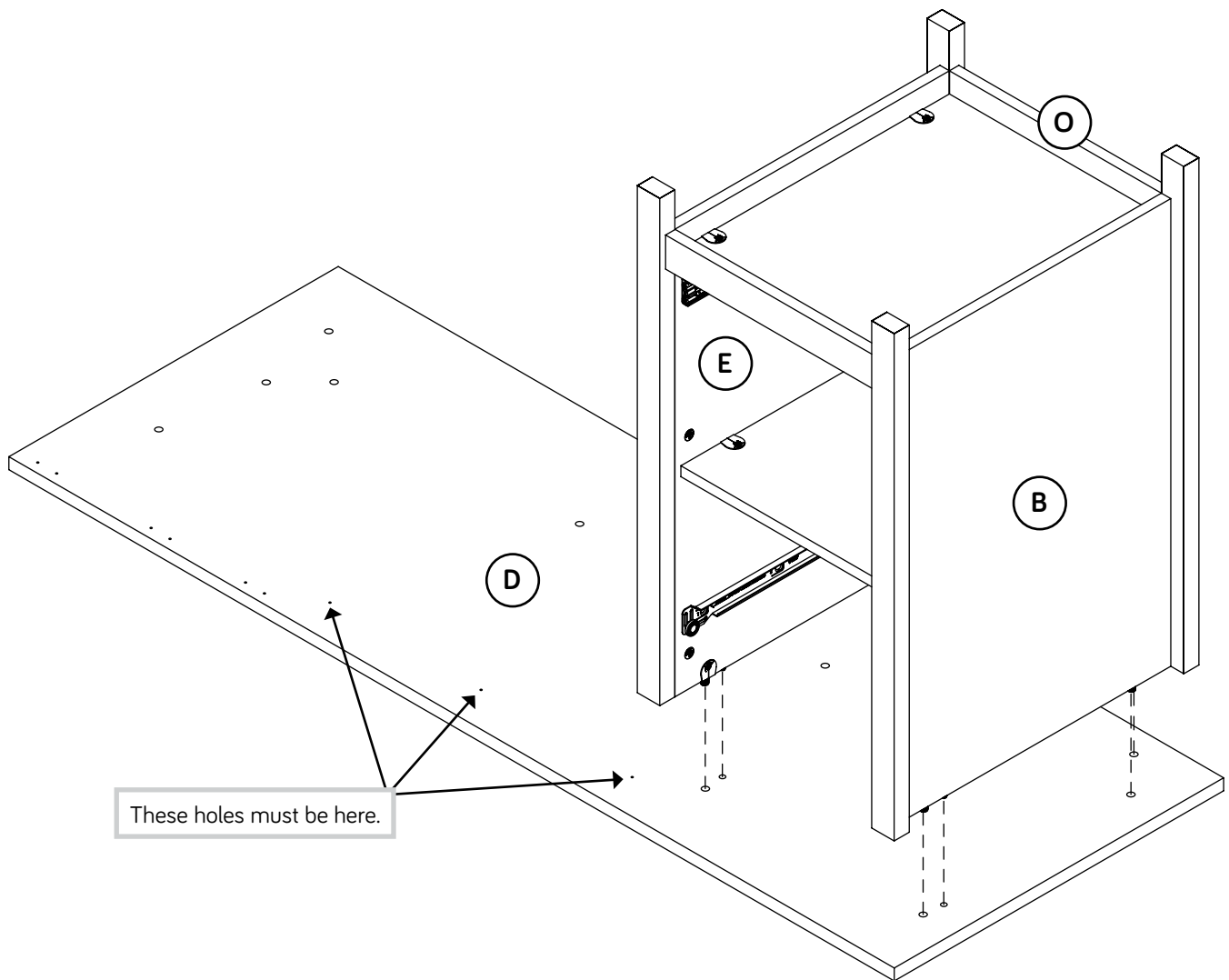
- ✚ Fasten the LEFT END (B) to the SHELF (L) and BOTTOM (M). Tighten four TWIST-LOCK® FASTENERS.
- ✚ Fasten the LEFT REAR LEG (S) to the BACK (O). Tighten three HIDDEN CAMS.



Step 25

✚ Fasten the LEFT END (B), LEFT UPRIGHT (E), and BACK (O) to the LARGE TOP (D). Tighten six TWIST-LOCK® FASTENERS.

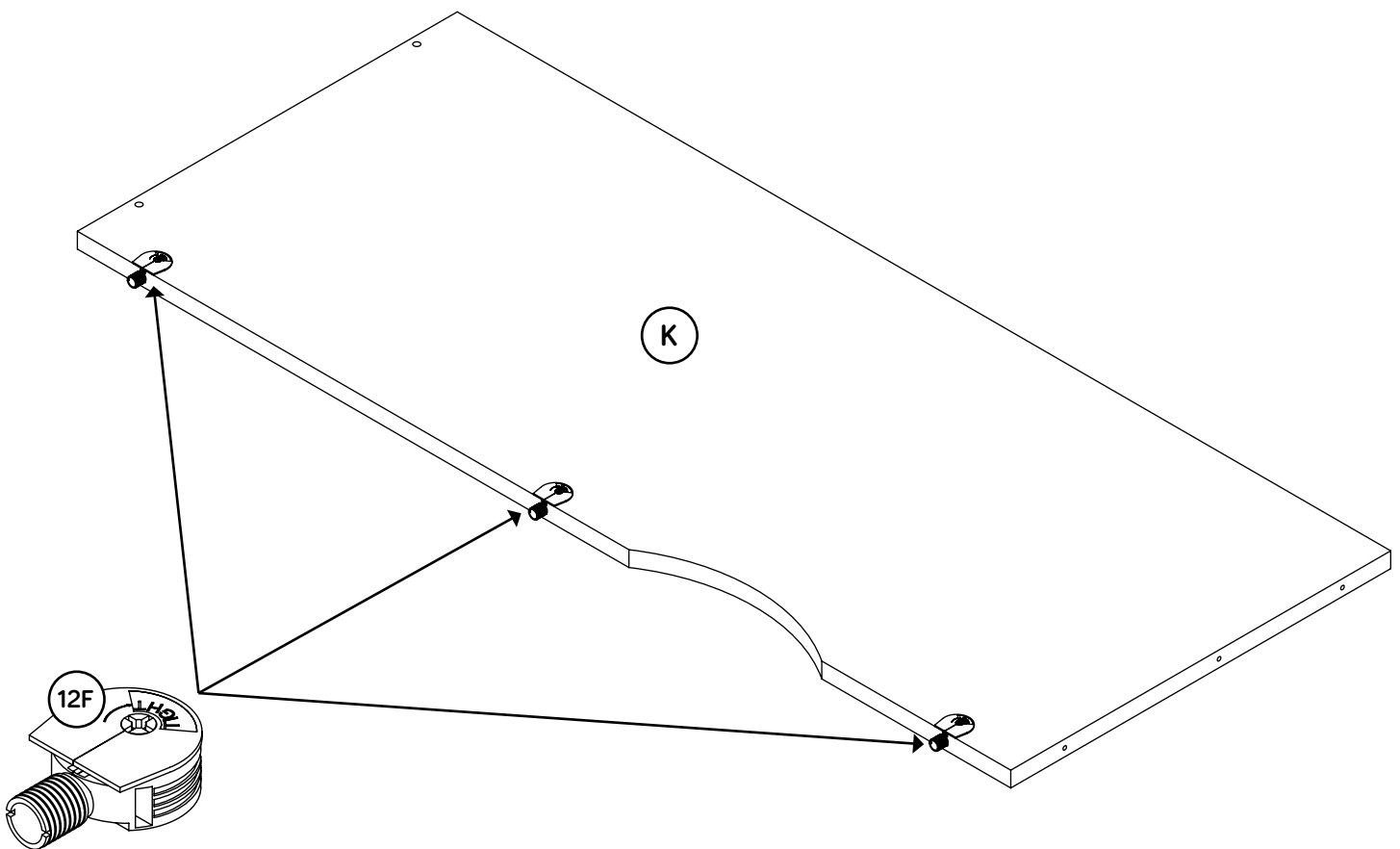
✚ NOTE: Be sure the WOOD DOWELS in the END and UPRIGHT insert into the TOP.



Step 26

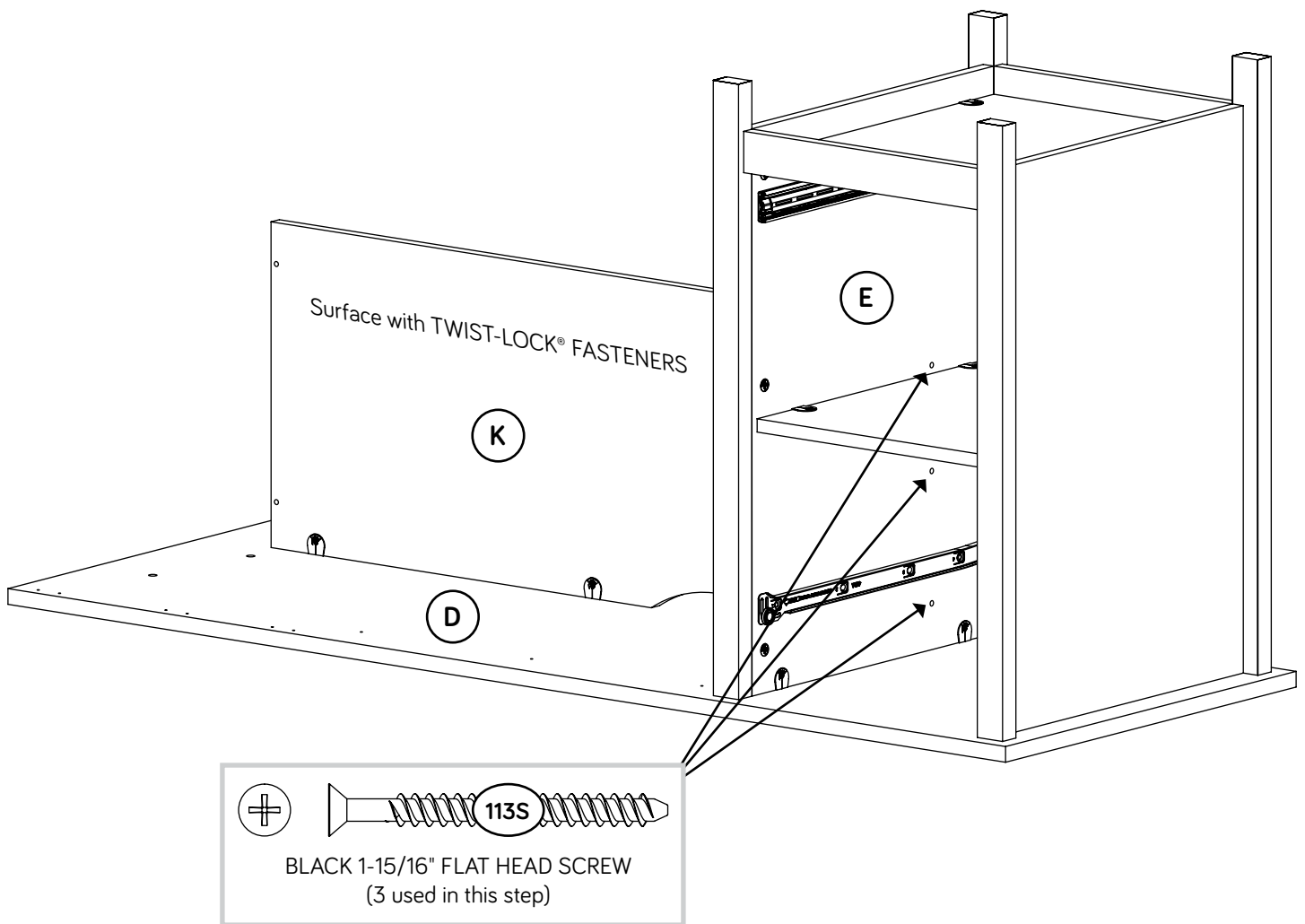
- Push three SAUDER TWIST-LOCK® FASTENERS (12F) into the large holes in the SMALL MODESTY PANEL (K).

Do not tighten the TWIST-LOCK® FASTENERS in this step.



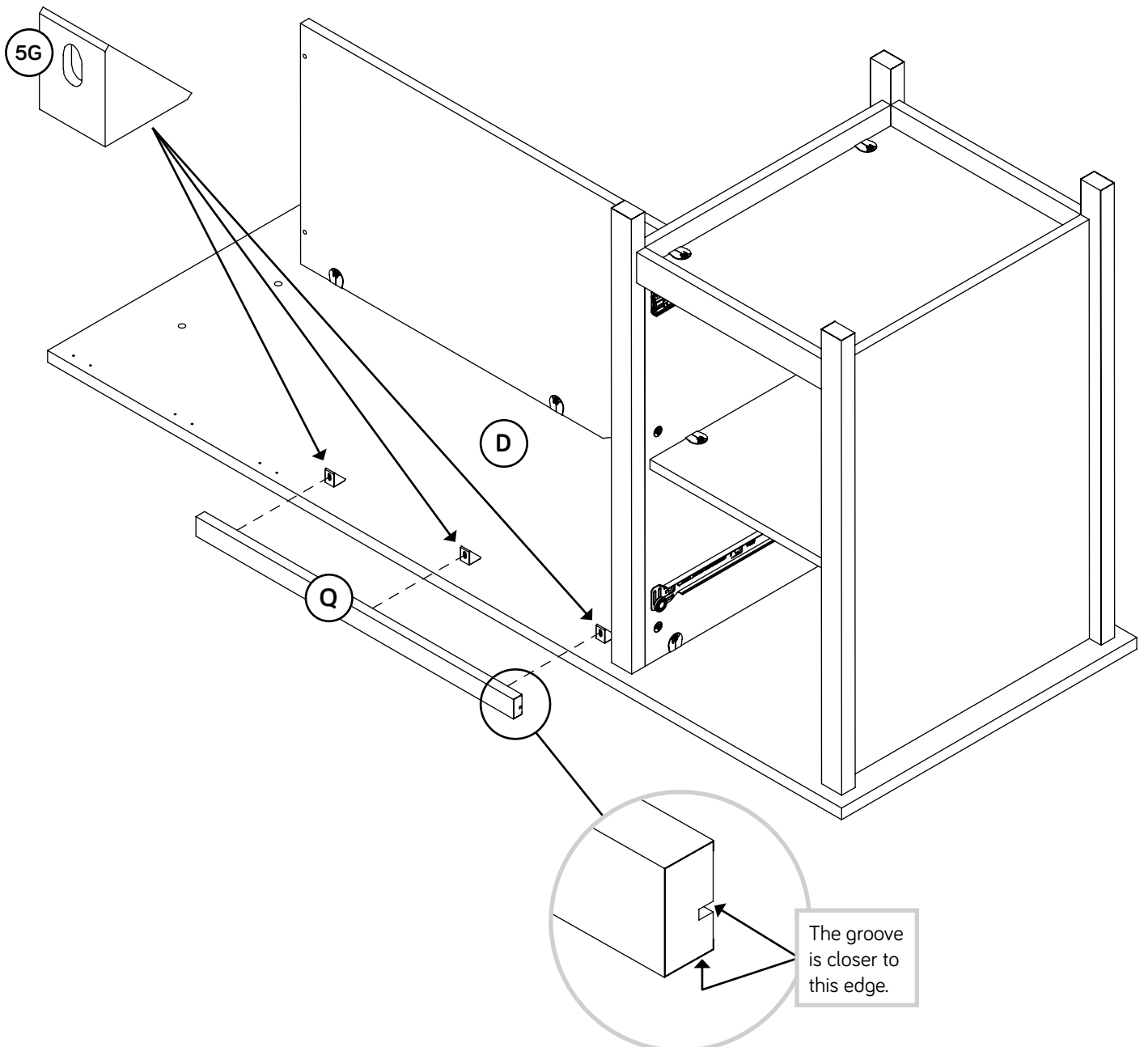
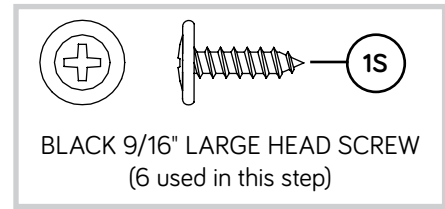
Step 27

- ✚ Fasten the SMALL MODESTY PANEL (K) to the LARGE TOP (D). Tighten three TWIST-LOCK® FASTENERS.
- ✚ Fasten the SMALL MODESTY PANEL (K) to the LEFT UPRIGHT (E). Use three BLACK 1-15/16" FLAT HEAD SCREWS (113S).
- ✚ NOTE: You should start each SCREW a few turns before completely tightening any of them.



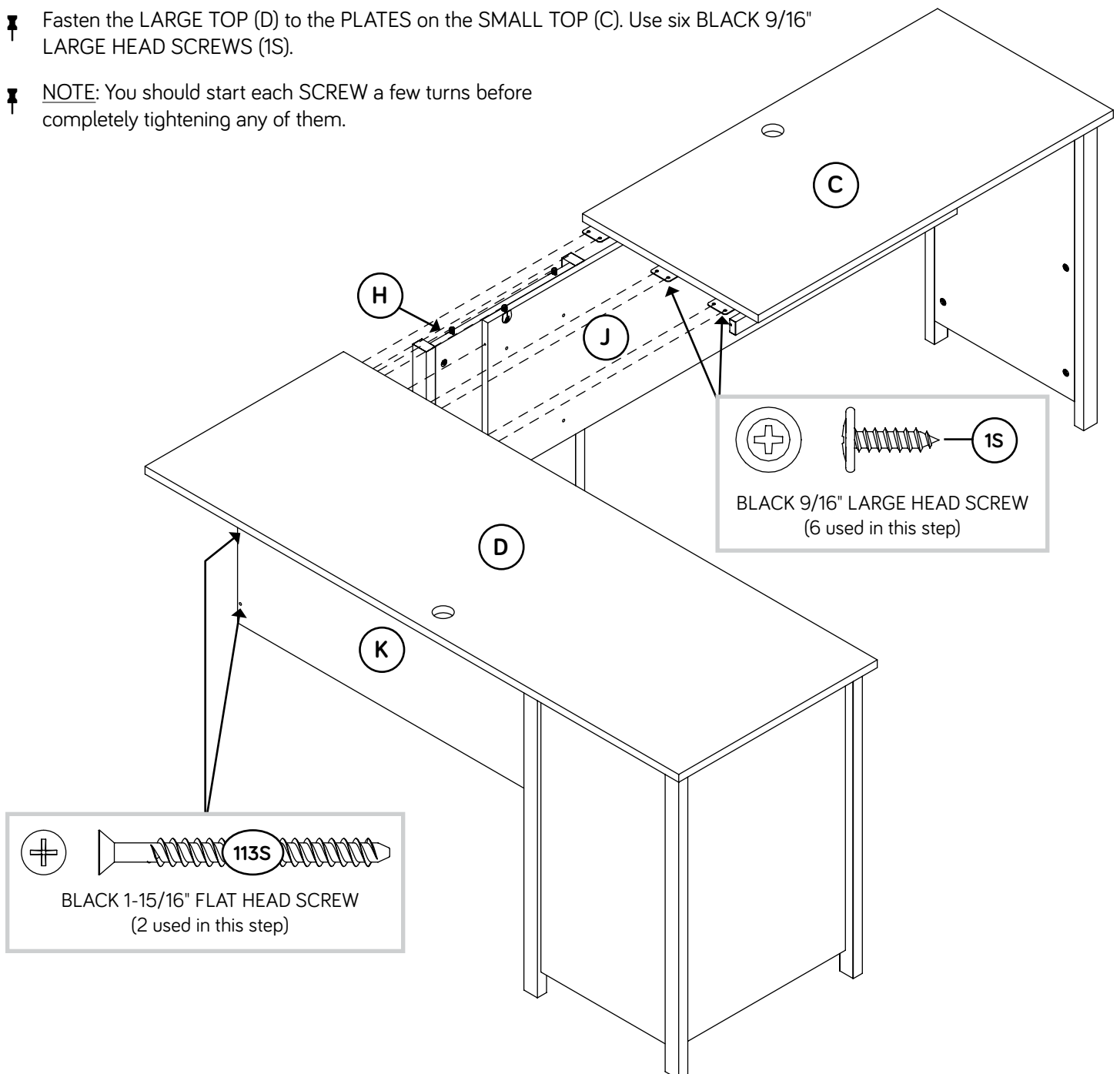
Step 28

- Fasten three ANGLE BRACKETS (5G) to the LARGE TOP (D). Use three BLACK 9/16" LARGE HEAD SCREWS (1S).
- Fasten the SHORT TOP MOLDING (Q) to the ANGLE BRACKETS on the LARGE TOP (D). Use three BLACK 9/16" LARGE HEAD SCREWS (1S).
- NOTE:** There are no pre-drilled holes in the MOLDING. The SCREWS will tighten into the groove.



Step 29

- ✚ With someone's help, carefully stand the assemblies upright near the unit's final location.
- ✚ Fasten the LARGE TOP (D) to the CORNER UPRIGHT (H) and LARGE MODESTY PANEL (J). Tighten three TWIST-LOCK® FASTENERS.
- ✚ Fasten the SMALL MODESTY PANEL (K) to the LARGE MODESTY PANEL (J). Use two BLACK 1-15/16" FLAT HEAD SCREWS (113S).
- ✚ NOTE: You should start each SCREW a few turns before completely tightening any of them.
- ✚ Fasten the LARGE TOP (D) to the PLATES on the SMALL TOP (C). Use six BLACK 9/16" LARGE HEAD SCREWS (1S).
- ✚ NOTE: You should start each SCREW a few turns before completely tightening any of them.



Step 30

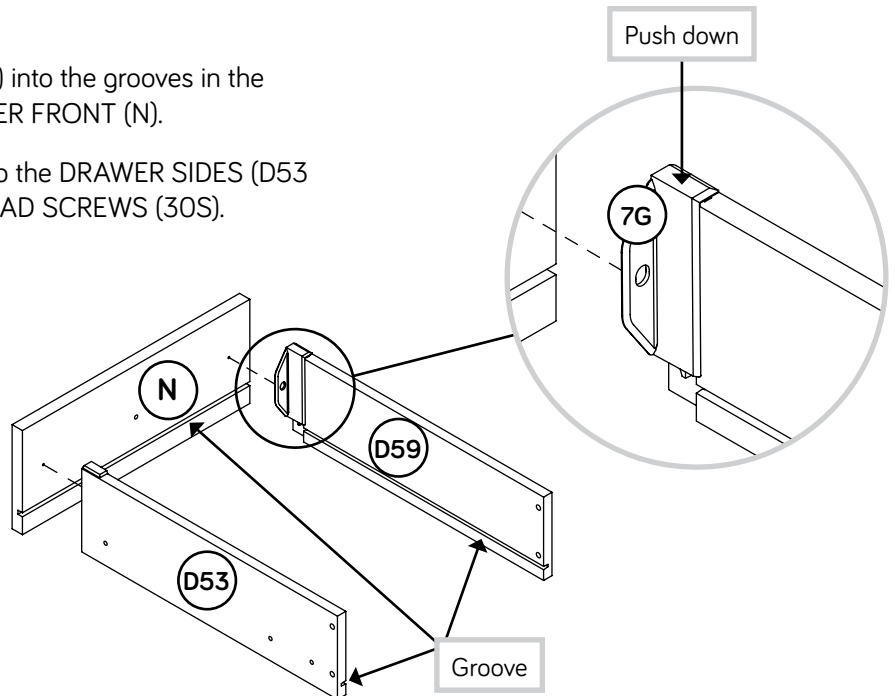
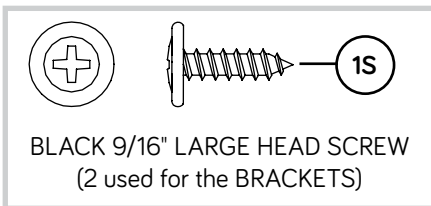
✚ Pull the SMALL DRAWER FRONT BRACKETS (7G) apart and slide them into the grooves in the SMALL DRAWER SIDES (D53 and D59). You may need to gently tap them in with a hammer.

✚ NOTE: The DRAWER FRONT BRACKETS are marked "RH" and "LH" for easy identification.

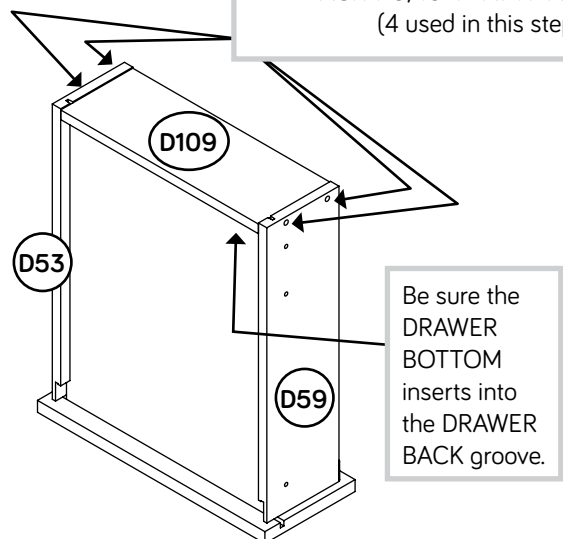
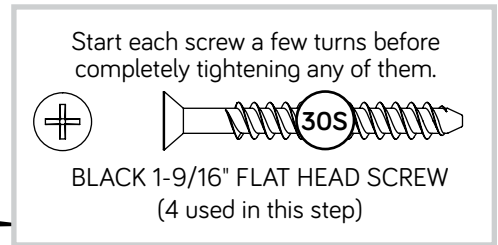
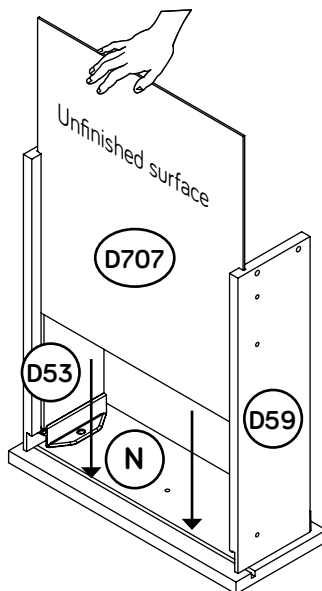
✚ Fasten the SMALL DRAWER FRONT (N) to the DRAWER FRONT BRACKETS (7G). Use two BLACK 9/16" LARGE HEAD SCREWS (1S).

✚ Slide the SMALL DRAWER BOTTOM (D707) into the grooves in the DRAWER SIDES (D53 and D59) and DRAWER FRONT (N).

✚ Fasten the SMALL DRAWER BACK (D109) to the DRAWER SIDES (D53 and D59). Use four BLACK 1-9/16" FLAT HEAD SCREWS (30S).



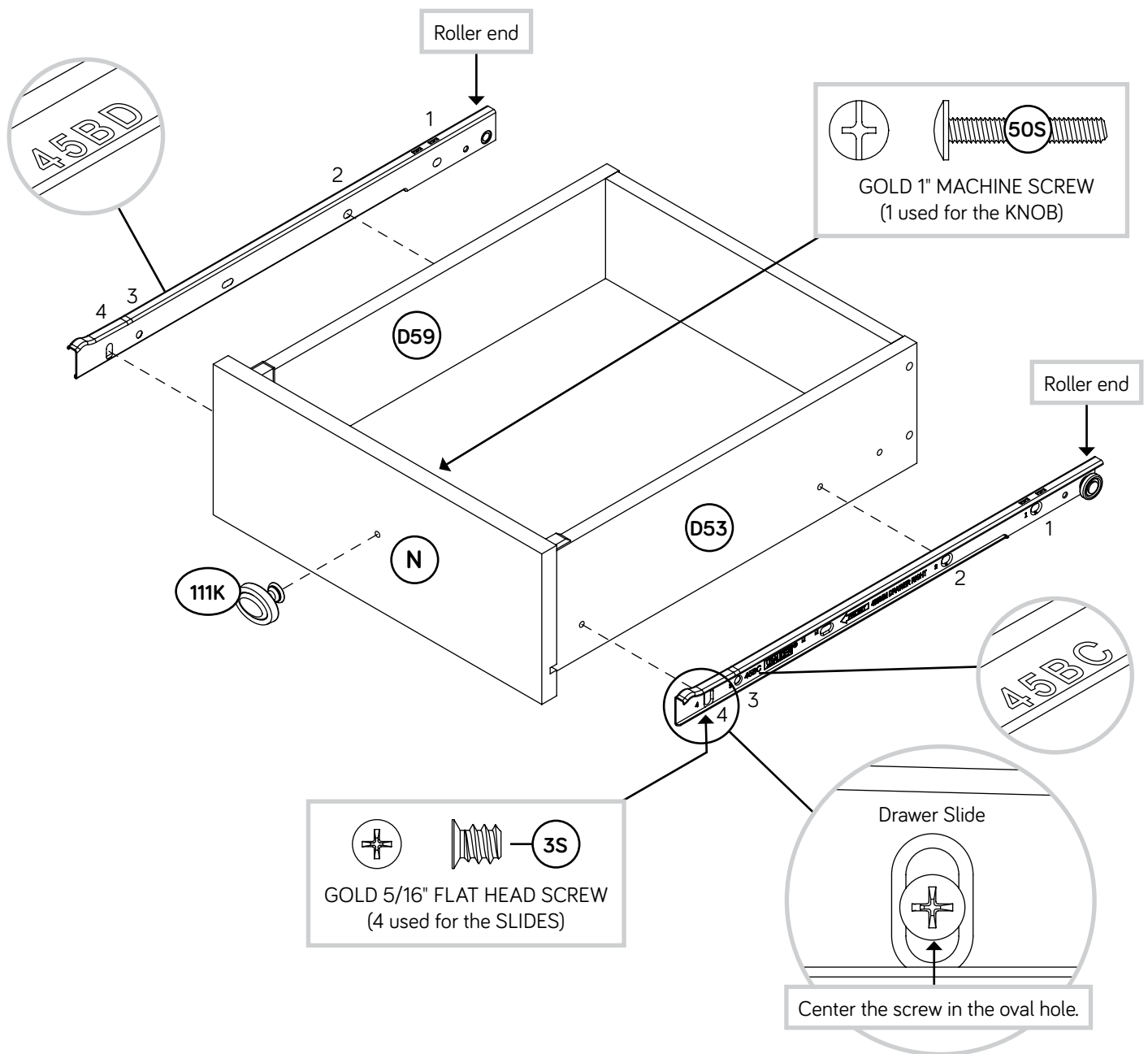
With the palm of your hand, tap the DRAWER BOTTOM down into the groove.



Be sure the DRAWER BOTTOM inserts into the DRAWER BACK groove.

Step 31

- Fasten the DRAWER RIGHT (45BC) to the SMALL RIGHT DRAWER SIDE (D53). Use two GOLD 5/16" FLAT HEAD SCREWS (3S) through holes #2 and #4.
- Fasten the DRAWER LEFT (45BD) to the SMALL LEFT DRAWER SIDE (D59). Use two GOLD 5/16" FLAT HEAD SCREWS (3S) through holes #2 and #4.
- Fasten one KNOB (111K) to the SMALL DRAWER FRONT (N). Use one GOLD 1" MACHINE SCREW (50S).



Step 32

✚ Pull the LARGE DRAWER FRONT BRACKETS (10G) apart and slide them into the grooves in the LARGE DRAWER SIDES (D32 and D33). You may need to gently tap them in with a hammer and screwdriver.

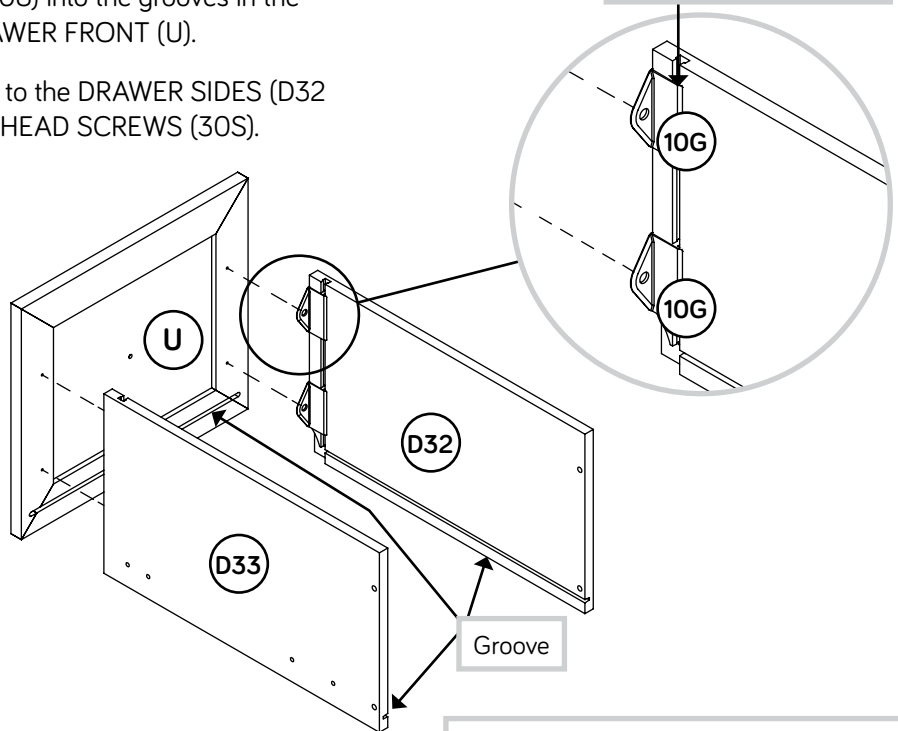
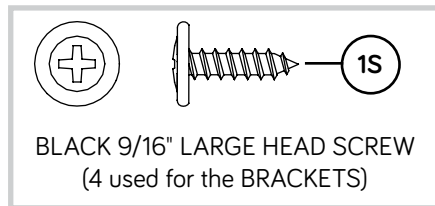
✚ **NOTE:** The DRAWER FRONT BRACKETS are marked "RH" and "LH" for easy identification.

✚ Fasten the LARGE DRAWER FRONT (U) to the DRAWER FRONT BRACKETS (10G). Use four BLACK 9/16" LARGE HEAD SCREWS (1S).

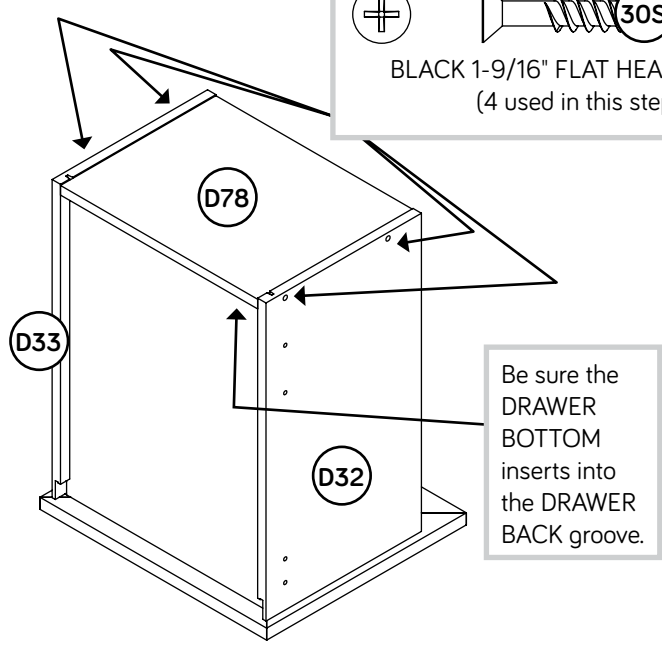
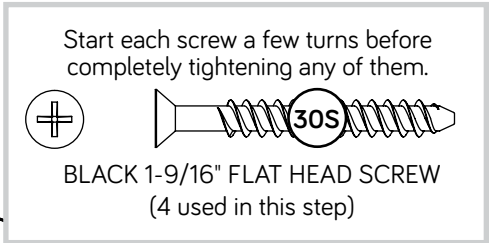
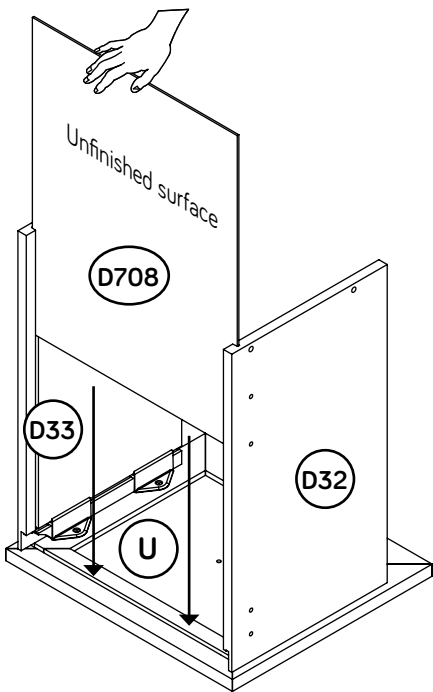
✚ Slide the LARGE DRAWER BOTTOM (D708) into the grooves in the DRAWER SIDES (D32 and D33) and DRAWER FRONT (U).

✚ Fasten the LARGE DRAWER BACK (D78) to the DRAWER SIDES (D32 and D33). Use four BLACK 1-9/16" FLAT HEAD SCREWS (30S).

You may need to use your hammer and screwdriver to gently tap down into the groove.

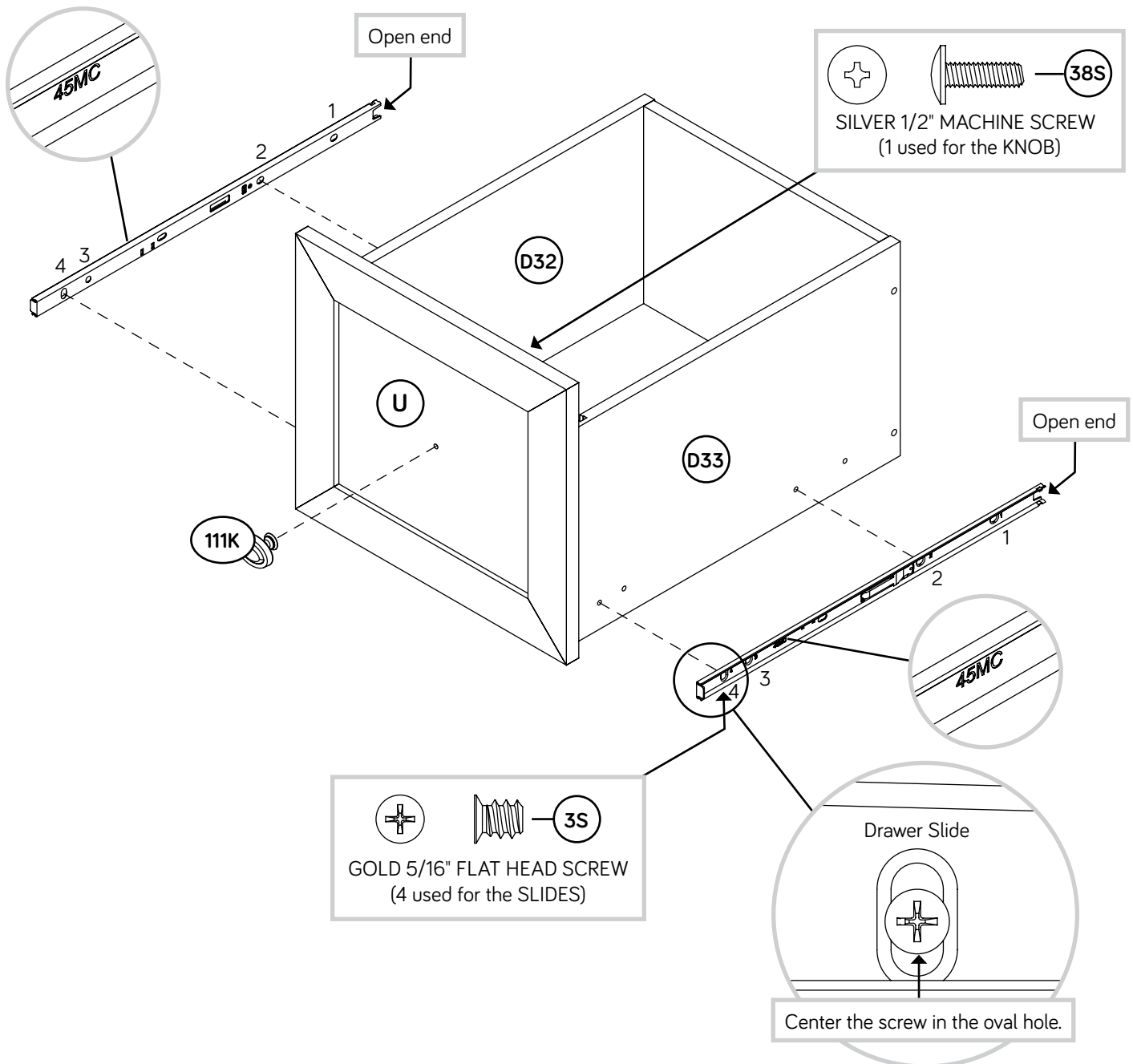


With the palm of your hand, tap the DRAWER BOTTOM down into the groove.



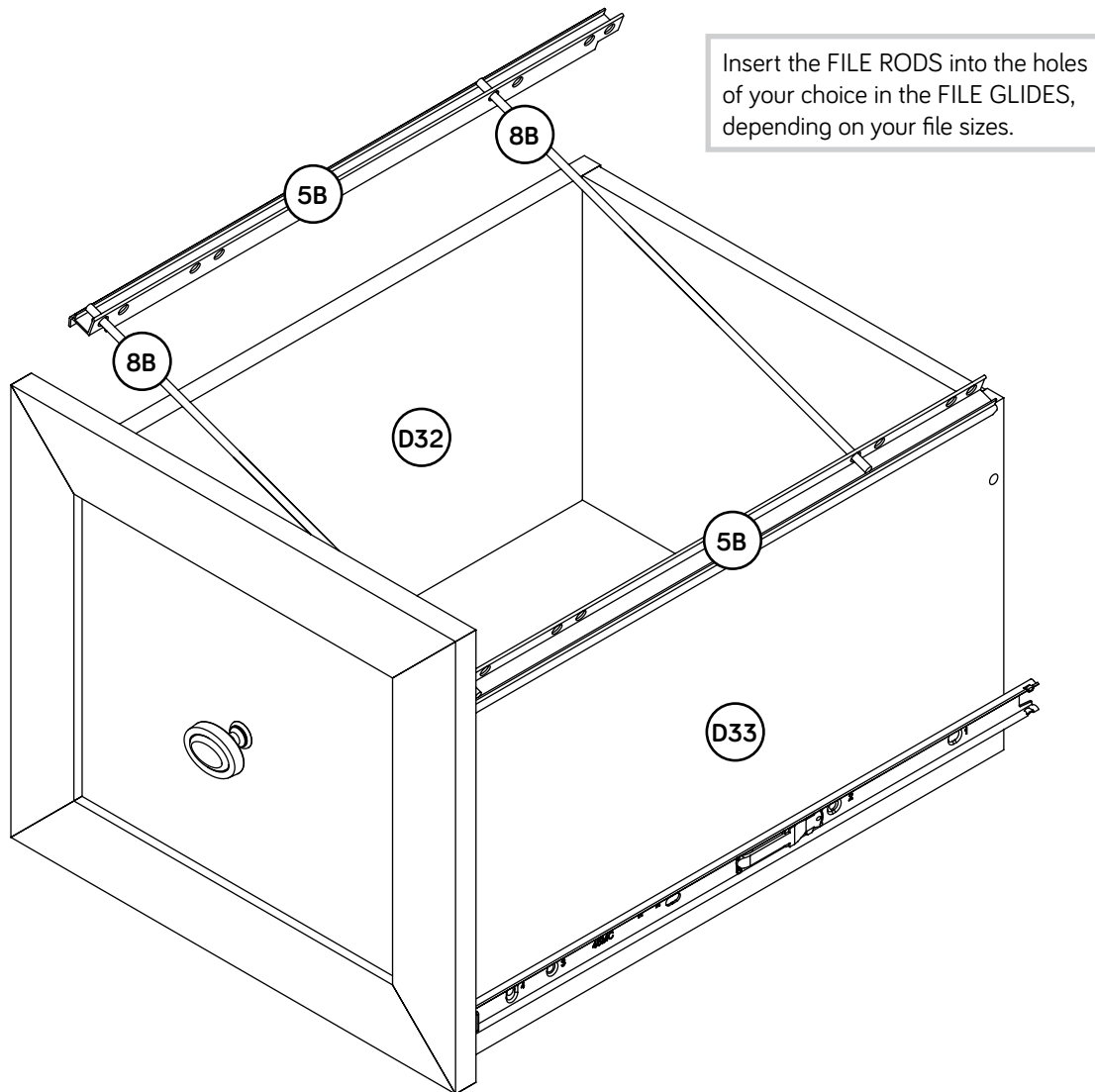
Step 33

- Fasten the EXTENSION SLIDES (45MC) to the LARGE DRAWER SIDES (D32 and D33). Use four GOLD 5/16" FLAT HEAD SCREWS (3S) through holes #2 and #4.
- Fasten one KNOB (111K) to the LARGE DRAWER FRONT (U). Use one SILVER 1/2" MACHINE SCREW (38S).



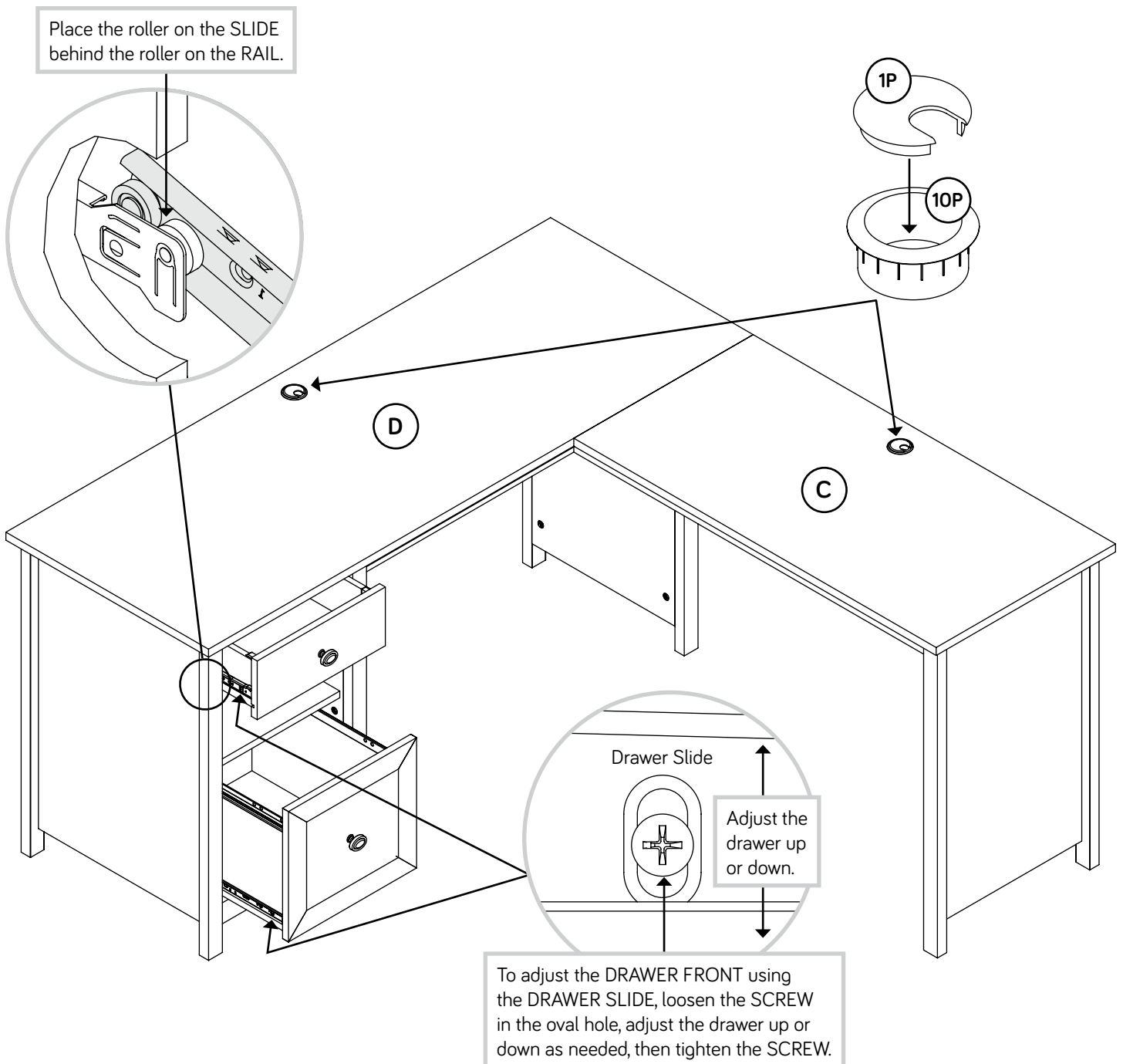
Step 34

- ✚ Push a FILE GLIDE (5B) onto the LARGE RIGHT DRAWER SIDE (D33).
- ✚ Slide the FILE RODS (8B) into the FILE GLIDE (5B) on the LARGE RIGHT DRAWER SIDE.
- ✚ Slide another FILE GLIDE (5B) onto the other end of the FILE RODS (8B), then press this FILE GLIDE over the LARGE LEFT DRAWER SIDE (D32).



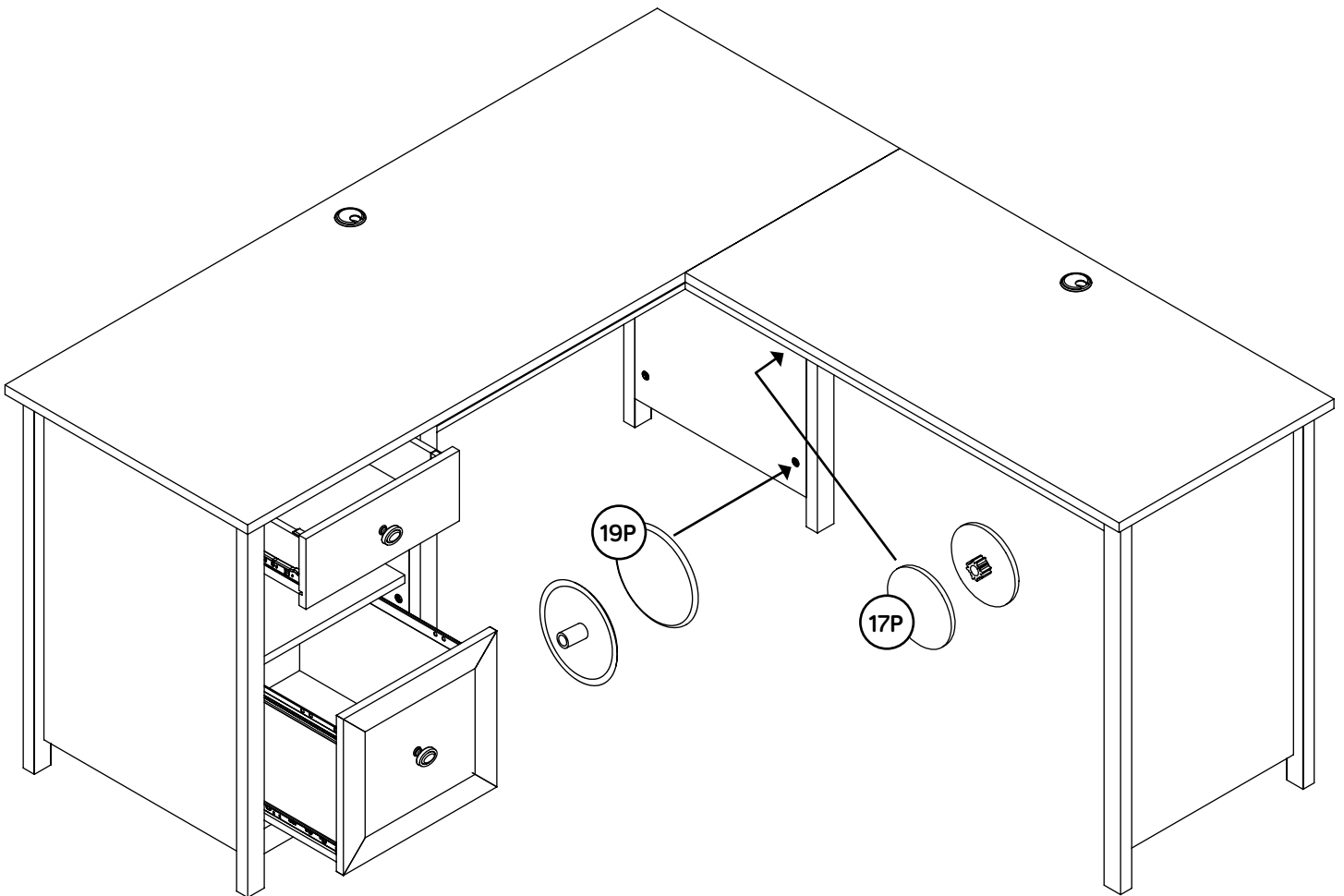
Step 35

- ✦ Insert the GROMMETS (10P) and GROMMET CAPS (1P) into the large holes in the TOPS (C and D).
- ✦ To insert the SMALL DRAWER into your unit, tip the front of the drawer down and drop the rollers on the drawer behind the rollers on the unit.
- ✦ To insert the LARGE DRAWER into your unit, line up the EXTENSION SLIDES on the drawer with the EXTENSION RAILS on the unit and push the drawer into the unit until the drawer is fully inserted. The drawer will push in hard until it is all the way in, then it will slide in and out easier.



Step 36

- ✚ Center a SCREW COVER (17P) over the head of each visible SCREW and gently tap in with your hammer.
- ✚ Using your hammer, gently tap a CAM COVER (19P) onto each visible HIDDEN CAM.
- ✚ NOTE: Please read the back pages of the instruction booklet for important safety information.
- ✚ This completes assembly. Clean with a damp cloth. Wipe dry.



⚠ WARNING

Please use your furniture correctly and safely. Improper use can cause safety hazards, or damage to your furniture or household items. *Carefully read the following chart.*

Look out for:	What can happen:	How to avoid the problem:
<ul style="list-style-type: none">• Overloaded shelves or drawers.• Improper loading can cause the product to be top-heavy.	<ul style="list-style-type: none">• Risk of injury.• Top-heavy furniture can tip over.• Overloaded shelves and drawers can break.	<ul style="list-style-type: none">• Never exceed the weight limits shown in the instructions.• Work from bottom to top when loading shelves and drawers. Place the heavier items on the lower shelves or in lower drawers.
<ul style="list-style-type: none">• Improperly moving furniture that is not designed and equipped with casters.	<ul style="list-style-type: none">• Furniture can tip over or break if improperly moved.• Physical injury. Furniture can be very heavy.• Breakage of tops - particularly with double pedestal furniture (drawers at both ends).	<ul style="list-style-type: none">• Unload shelves and drawers from top to bottom before moving the unit.• Do not push furniture, especially on a carpeted floor. Have a friend help you lift the item and set it in place.• Provide support to the center section of the top when lifting the furniture.
<ul style="list-style-type: none">• Placing TVs on furniture items that are not designed to support a television is hazardous.	<ul style="list-style-type: none">• Risk of injury or death. TVs can be very heavy. Plus the weight and location of the picture tube tends to make TVs unbalanced and prone to tipping forward.	<ul style="list-style-type: none">• This product is not designed to support a television.

⚠ ADVERTENCIA

Por favor use el mobiliario correcta y seguramente. El mal uso puede causar riesgos de seguridad o daño a las unidades o artículos domésticos. **Cuidadosamente lea la tabla a continuación.**

Esté alerta de:	Puede ocurrir:	Evitar el problema:
<ul style="list-style-type: none">• Estantes o cajones sobrecargados.• Cargar el producto de manera inadecuada puede causar la inestabilidad.	<ul style="list-style-type: none">• Riesgo de lesiones.• El mobiliario inestable puede volcarse.• Estantes y cajones sobrecargados pueden romperse.	<ul style="list-style-type: none">• Nunca exceder los límites de peso indicados en las instrucciones.• Cargue los estantes y cajones a partir de la base y trabaje hacia arriba. Coloque los artículos más pesados sobre los estantes inferiores o en los cajones inferiores.
<ul style="list-style-type: none">• Mover incorrectamente el mobiliario que no está diseñado y provisto con ruedecitas.	<ul style="list-style-type: none">• La inclinación o rotura del mobiliario es posible si se mueve de manera inadecuada.• Lesión física. El mobiliario puede ser muy pesado.• Rotura de las superficies especialmente las unidades con dos pedestales (con cajones en cada extremo).	<ul style="list-style-type: none">• Descargue los estantes y cajones desde arriba hacia abajo antes de mover la unidad.• No empuje la unidad, especialmente sobre un piso alfombrado. Pide la ayuda de otra persona para levantar la unidad y colocarla en lugar.• Soporte la sección central del panel superior cuando levanta el mueble.
<ul style="list-style-type: none">• Es peligroso colocar los televisores sobre unidades de mobiliario que no están diseñadas para soportar un televisor.	<ul style="list-style-type: none">• Riesgo de lesiones o muerte. Los televisores pueden ser muy pesados. Además, el peso y la ubicación del tubo de imagen tienden a causar la inestabilidad de televisores y propensa a volcarse hacia adelante.	<ul style="list-style-type: none">• Este producto no está diseñado para soportar un televisor.

5-YEAR LIMITED WARRANTY

1. Sauder Woodworking Co. (Sauder®) provides limited warranty coverage to the original purchaser of this product for a period of five years from the date of purchase against defects in materials or workmanship of Sauder furniture components. As used in this Warranty, "defect" means imperfections in components which substantially impair the utility of the product. This Warranty gives you specific legal rights, and you may also have other rights which vary from state to state.

2. There is no warranty coverage for defects or conditions that result from the failure to follow product assembly instructions, information or warnings, misuse or abuse, intentional damage, fire, flood, alteration or modification of the product, or use of the product in a manner inconsistent with its intended use, nor any condition resulting from incorrect or inadequate maintenance, cleaning, or care. There is also no warranty coverage for rented products or any products purchased "used" or "as is", at a distress or going-out-of business sale, or from a liquidator.

3. As the exclusive remedy under this Warranty, Sauder will (at its sole option) repair, replace or refund the value of any defective furniture component. Sauder may require independent confirmation of the claimed defect and proof of purchase. Replacement parts will be warranted for only the remaining period of the original Warranty. SAUDER SHALL HAVE NO LIABILITY FOR ANY INCIDENTAL OR CONSEQUENTIAL DAMAGES OF ANY KIND and all such damages are EXCLUDED FROM THIS WARRANTY, such as loss of use, disassembly, transportation, labor or damage to property on or near the product. Some states do not allow the exclusion or limitation of incidental or consequential damages, so the above limitation or exclusion may not apply to you.

GARANTIE LIMITÉE DE 5 ANS

1. Sauder Woodworking Co. (Sauder®) offre une couverture de garantie limitée à l'acheteur initial du présent produit pendant une période de cinq ans à compter de la date d'achat contre tout défaut de matériaux ou de fabrication des composantes de mobilier Sauder. Le mot « défaut », tel qu'il est utilisé sous les termes de la présente garantie, comprend les imperfections des pièces qui empêchent substantiellement l'utilisation du produit. La présente garantie vous donne des droits légaux spécifiques et il est possible que vous ayez des droits supplémentaires variant d'État en État ou de province en province.

2. La présente garantie ne saurait couvrir les défauts ou conditions qui surviendraient à la suite du non respect des instructions, informations ou mises en garde de montage, d'une mauvaise utilisation ou d'un abus, d'un dommage intentionnel, d'un incendie, d'une inondation, d'une altération ou modification du produit, d'une utilisation du produit allant à l'encontre de son usage prévu, ni aucune condition résultant d'une maintenance, d'un nettoyage ou d'un entretien inappropriés ou inadéquats. De plus, il n'existe aucune garantie pour les produits loués ou tous les produits achetés « d'occasion » ou « en l'état », dans le cadre d'une vente aux enchères ou de solde pour cessation de commerce, ou auprès d'un liquidateur.

3. En tant que recours exclusif en vertu de la présente garantie, Sauder réparera, remplacera ou remboursera (sur sa seule décision) la valeur de toute composante de mobilier défectueuse. Sauder peut exiger une confirmation indépendante du défaut revendiqué ainsi qu'une preuve d'achat. Les pièces de rechange seront garanties uniquement pendant la période restante de la garantie originale. SAUDER NE SERA EN AUCUN CAS RESPONSABLE DE TOUT DOMMAGE ACCESSOIRE OU CONSÉCUTIF DE TOUTE SORTE et lesdits dommages sont EXCLUS DE LA PRÉSENTE GARANTIE, à savoir perte d'utilisation, démontage, transport, main d'œuvre ou dommages matériels sur ou à proximité du produit. Certains États ou provinces ne permettant pas l'exclusion ou la limite aux responsabilités pour dommages accidentels ou consécutifs, la limite ou l'exclusion ci-dessus peut ne pas être applicable.

GARANTÍA LIMITADA DE 5 AÑOS

1. Sauder Woodworking Co. (Sauder®) provee cobertura de garantía limitada al comprador original de este producto por un período de cinco años, a partir de la fecha de compra, contra defectos en los materiales o de mano de obra en los componentes de muebles Sauder. Como es utilizado en esta Garantía, "defecto" significa imperfecciones en los componentes que de manera fundamental afecta la utilidad del producto. Esta Garantía le permite a usted ciertos derechos legales, y usted también podría poseer otros derechos adicionales, los cuales varían de estado a estado.

2. No hay cobertura de garantía para defectos o estados que resulten del incumplimiento en seguir las instrucciones, la información o las advertencias sobre el ensamblaje del producto; del uso incorrecto o maltrato, del daño intencional, incendio, inundación, cambio o modificación del producto; o de la utilización del producto de manera contradictoria con el uso para el cual fue fabricado, ni por ningún estado que resulte del mantenimiento, limpieza o cuidado incorrecto o inadecuado. Tampoco no hay cobertura de garantía para los productos rentados o para cualesquiera productos comprados "de uso" o "como está", en una venta de bienes embargados o en una venta por salirse del negocio, o comprados a un liquidador.

3. Como un recurso exclusivo bajo esta Garantía, Sauder (sólo a su opción) reparará, reemplazará o reembolsará el valor de cualquier componente defectuoso de mueble. Sauder puede requerir una confirmación independiente de un defecto reclamado y una prueba de compra. Las piezas de repuesto serán garantizadas solamente por el período de tiempo que queda de la Garantía original. SAUDER NO TENDRÁ RESPONSABILIDAD POR NINGÚN DAÑO INCIDENTAL O CONSUCUENTE DE NINGÚN TIPO y todos dichos daños SE EXCLUYEN DE ESTA GARANTÍA, tales como pérdida de uso, desensamblaje, transportación, trabajo o daño a la propiedad en o cerca del producto. Algunos estados no permiten la exclusión o limitación de daños incidentales o consecuentes, en tales instancias la limitación o exclusión antes mencionada podría no ser aplicable a usted.

4. This Warranty applies only to warranted defects that first arise and are reported to Sauder within the warranty coverage period. The Warranty cannot be transferred to subsequent owners or users of the product, and it shall be immediately void in the event the product is resold, transferred, leased or rented to any third party or person other than the original purchaser.

5. THERE ARE NO OTHER WARRANTIES APPLICABLE TO THIS PRODUCT. Under the laws of certain states, there may be no implied warranties from Sauder and all implied warranties, INCLUDING ANY IMPLIED WARRANTY OF MERCHANTABILITY OR FITNESS FOR A PARTICULAR PURPOSE are disclaimed where allowed by law. TO THE EXTENT ANY IMPLIED WARRANTIES ARE APPLICABLE, ANY IMPLIED WARRANTIES, INCLUDING ANY IMPLIED WARRANTY OF MERCHANTABILITY OR FITNESS FOR A PARTICULAR PURPOSE, ARE LIMITED IN DURATION TO THE DURATION OF THIS EXPRESS WARRANTY or the minimum period allowed by law, whichever is shorter. Some states do not allow limitations on how long an implied Warranty lasts, so the above limitation may not apply to you.

6. For Warranty inquiries or claims, please visit our website www.sauder.com. You can also contact Sauder at 1.800.523.3987. Sauder may require Warranty claims to be submitted in writing to: Sauder Woodworking Co., 502 Middle Street, Archbold, OH 43502 USA. Please include your sales receipt or other proof of purchase and a specific description of the product defect.

4. La présente garantie ne s'applique qu'aux défauts garantis qui se produisent pour la première fois et qui sont signalés à Sauder dans les limites de couverture de la garantie. La garantie ne peut pas être transférée à des propriétaires ou utilisateurs subséquents du produit, et sera immédiatement invalidée dans le cas où le produit est revendu, transféré, loué sous bail ou loué à une tierce partie ou personne autre que l'acheteur original.

5. IL N'EXISTE AUCUNE AUTRE GARANTIE EN VIGUEUR POUR LE PRÉSENT PRODUIT. En vertu des lois de certains États ou provinces, il ne peut y avoir de garanties implicites de la part de Sauder et toutes les garanties implicites, Y COMPRIS TOUTE GARANTIE IMPLICITE DE COMMERCIALITÉ OU D'ADAPTATION À UN USAGE PARTICULIER sont déclinées partout où la loi l'autorise. DANS LA MESURE OÙ TOUTE GARANTIE IMPLICITE EST APPLICABLE, TOUTE GARANTIE IMPLICITE, Y COMPRIS TOUTE GARANTIE DE COMMERCIALITÉ OU D'ADAPTATION À UN USAGE PARTICULIER, EST LIMITÉE À LA DURÉE DE LA PRÉSENTE GARANTIE EXPRESSE ou à la période minimum autorisée par la loi, la période la plus courte étant retenue. Certains États ne permettant pas que des limites soient imposées quant à la durée d'une garantie implicite, la limite ci-dessus peut donc ne pas être applicable.

6. Pour toute question concernant la garantie ou toute demande de réclamation, consulter le site Web www.sauder.com. Il est également possible de contacter Sauder en composant le 1.800.523.3987. Sauder peut exiger de soumettre les demandes de réclamation sous garantie par écrit à : Sauder Woodworking Co., 502 Middle Street, Archbold, OH 43502 USA. Veuillez joindre votre ticket de caisse ou toute autre preuve d'achat ainsi qu'une description spécifique du défaut de produit.

4. Esta Garantía sólo es aplicable a defectos garantizados que primeramente surjan y se informen a Sauder dentro del período de cobertura de garantía. La Garantía no puede ser transferida a propietarios o usuarios subsiguientes del producto, y ésta será inmediatamente invalidada en el caso que el producto sea revendido, transferido, arrendado o rentado a cualquier tercero u otra persona que no sea el comprador original.

5. NO HAY OTRA GARANTÍA APLICABLE A ESTE PRODUCTO. Bajo las leyes de ciertos estados, pueden no haber garantías implícitas de Sauder y se hace renuncia de responsabilidad de todas las garantías implícitas donde lo permita la ley, INCLUYENDO CUALQUIER GARANTÍA IMPLICITA DE MERCANTABILIDAD O DE APTITUD PARA UN PROPOSITO EN PARTICULAR. EN LA MEDIDA CUALQUIER GARANTÍA IMPLICITA ES APLICABLE, CUALESQUIERA GARANTÍAS IMPLICITAS, INCLUYENDO AQUELLA DE MERCANTABILIDAD O DE APTITUD PARA UN PROPOSITO EN PARTICULAR, SE LIMITAN EN DURACIÓN HASTA LA DURACIÓN DE ESTA GARANTÍA IMPLICITA o hasta el periodo mínimo permitido por la ley, la que sea más corta. Algunos estados no permiten limitaciones en cuanto a la duración de una garantía implícita, por eso la limitación arriba citada pueda no ser aplicable a usted.

6. Para solicitud de información o reclamación de Garantía, por favor, visite nuestro sitio Web www.sauder.com. Usted también puede contactar a Sauder llamando al 1.800.523.3987. Sauder puede solicitar que las reclamaciones sean presentadas por escrito a: Sauder Woodworking Co., 502 Middle Street, Archbold, OH 43502 USA. Por favor incluya su recibo de venta u otra prueba de compra y una descripción detallada del defecto del producto.

CONTACT US FIRST BEFORE MAKING ANY RETURNS TO THE RETAILER.

Dear Valued Customer:

Thanks so much for choosing Sauder® furniture. I hope the purchase and assembly process was a positive experience and you feel good about the furniture you just built.

My grandfather, Erie Sauder, founded the company in 1934 and later invented and patented the first commercially successful ready-to-assemble tables. We strive to hold true to his core values of innovation, integrity, servanthood and stewardship.

Sauder products are made with environmentally responsible materials and world-class manufacturing processes. Our 2,000+ dedicated employees in Archbold, Ohio, along with our global manufacturing partners, are committed to providing you furniture with great value, style and quality.

From our family to you. Enjoy!



Kevin J. Sauder
President/CEO



Register your new product online

For immediate service, our website is available 24 hours per day, 7 days per week, to order replacement parts, access assembly tips, register your product and view Sauder products. www.sauder.com/service

So, how did it go?

Set a world record for speed?
Feeling good about yourself?
Nice. Get social with it on any of these quality share sites.



If you need assistance or want to learn more, please contact our award-winning, Ohio-based customer service team at **1-800-523-3987** Monday-Friday - 9 a.m. to 5:30 p.m. EST (except holidays) or at sauder.com/service.



And don't forget to rate and review your piece at Sauder.com in the product detail page.



General Conformity Certificate

1. This certificate applies to the Sauder Woodworking Product identified by this Instruction Book.
2. This certificate applies to compliance of this product with the CPSC Ban on Lead-Containing Paint (16 CFR 1303).
3. This product is manufactured by:
Sauder Woodworking Company
502 Middle St.
Archbold, OH 43502
419-446-2711
4. Date of Manufacture: _____

